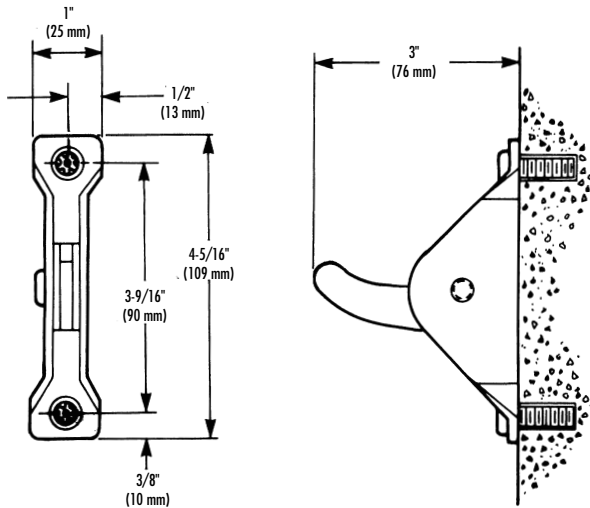
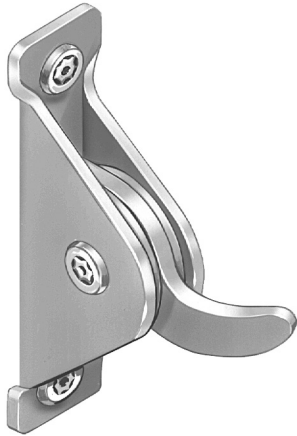


SECURITY CLOTHES HOOK

- Wall Mounted

Bradex™



CONSTRUCTION:

Safety hook fabricated of type 304 (18-8), 11 gauge stainless steel bracket with 7 gauge stainless steel hook. Hook is secured to bracket with torx-head screw and rubber friction washers. Unit manufactured to release when more than 20 lbs. of force is applied. Tension adjustment can be made by use of torx driver (available as option.) Unit supplied with 1" x 1/4"-20 torx-head screws for installation to wall anchors (not included).

Document No. 9255

This information is subject to change without formal notice.
© 2004 Bradley Corporation
8-30-2004

Orders composed of products indicated as **Bradex™** will be available to ship in one week after receipt of order at the factory. There is no pricing penalty for this service from Bradley.



P.O. Box 309, Menomonee Falls, WI 53052-0309
Phone 1-800-BRADLEY FAX 262-253-4161
Web Site: <http://www.bradleycorp.com>