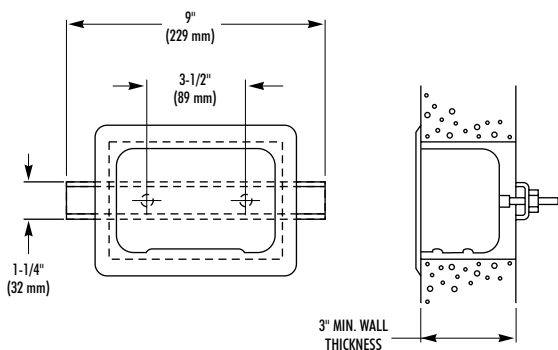
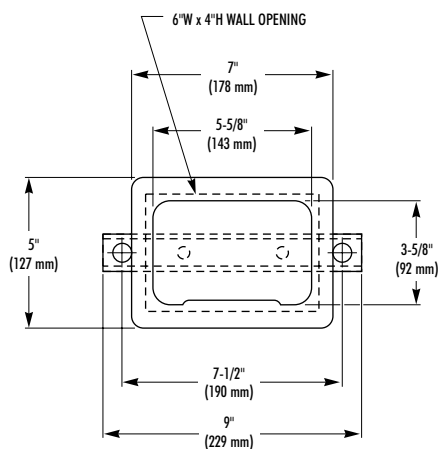
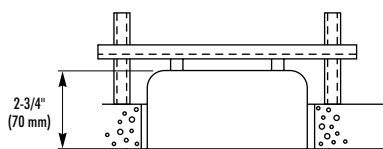


SECURITY RECESSED SOAP DISH

- Chase Mounted



CONSTRUCTION:

Soap Dish is fabricated of type 304 (18-8), 18 gauge stainless steel with exposed surfaces in architectural satin finish. Unit is drawn one-piece seamless construction. Rim of soap dish is beveled to insure tight fit to wall surface. Back of soap dish has welded anchor nuts to receive threaded studs (provided). Back plate of 11 gauge die-formed galvanized steel, reversible for shallow or deep wall installation.

WALL THICKNESS (must check one)	
<input type="checkbox"/> Up to 2-3/4"	<input type="checkbox"/> 2-3/4" to 6"
<input type="checkbox"/> Over 6", Specify Thickness: _____	

Document No. 9210

This information is subject to change without formal notice.
1299RSSCJ



P.O. Box 309, Menomonee Falls, WI 53052-0309
Phone 1-800-BRADLEY FAX 262-253-4161
Web Site: <http://www.bradleycorp.com>
Technical Information Fax Service: 1-800-BRADFAX