

Security framed chase-mounted wall mirror:

- Model SA01-1 (Stainless Steel)
- Model SA01-2 (Stainless Steel)
- Model SA01-5 (Plexiglas®)

Product Materials

FRAME: 14 gauge stainless steel, seamless construction, with exposed surfaces in architectural satin finish. Back of frame has welded anchor nuts to receive 1/4" - 20 studs (provided). Mirror material held to frame by fiberboard backing. Nuts and washers included.

MIRROR MODEL SA01-1: mirror is 20 gauge, stainless steel polished to a No. 8 architectural finish. Stretcher leveled for uniform finish. Very bright – excellent reflectivity, very slight polish grain.

MIRROR MODEL SA01-2: mirror is 20 gauge, stainless steel, bright annealed. Stretcher leveled for uniform finish. Surface is bright and smooth with mirror-like finish.

MIRROR MODEL SA01-5: plexiglas mirror is 1/4" thick with excellent reflectivity. Surface subject to scratching and must not be cleaned with abrasive cleaners. (Plexiglas® is a Registered Trademark of Rohm & Haas.)

Stainless steel mirrors will differ in optic quality from glass mirrors.

Installation

Verify all rough-in dimensions prior to installation. Backplate has welded anchor nuts to receive 1/4" -20 studs, nuts and washers. (Included with unit.) (4) 5/8" dia. holes are required in wall at locations shown.

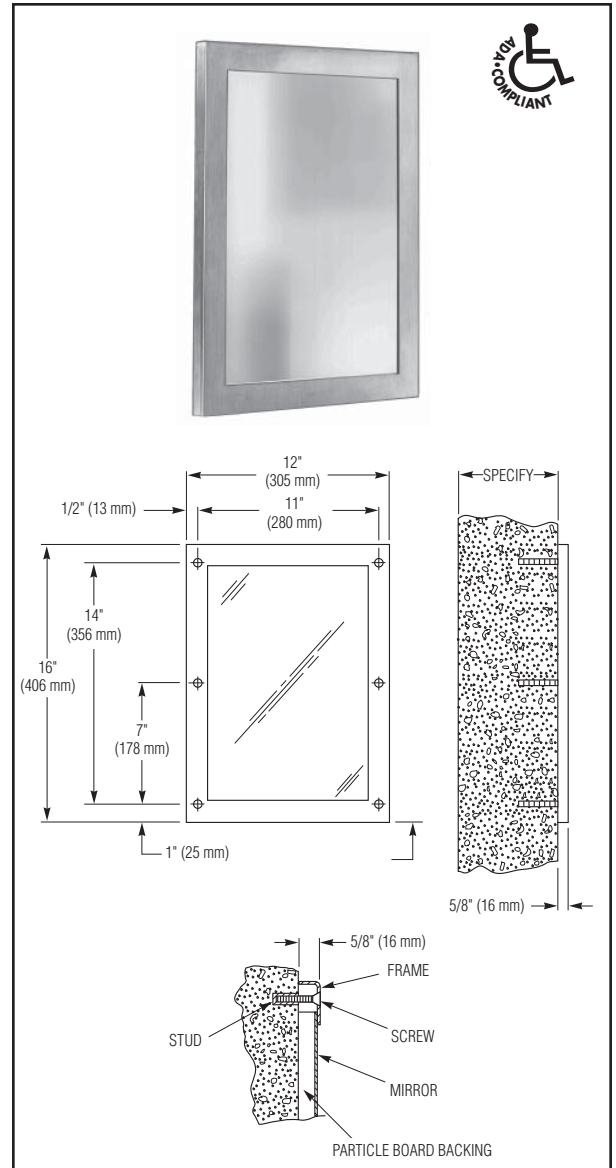
Standard Selections

WALL THICKNESS (must specify)

Specify Thickness: _____

ADA Compliant

- Consult local and national accessibility codes for proper installation guidelines.
- Conformity and compliance to local and national codes is the responsibility of the installer.



Washroom Accessories
Document No. 9170