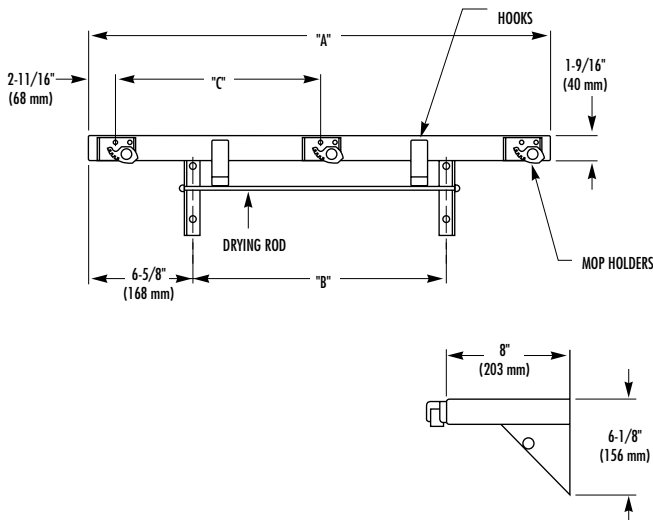
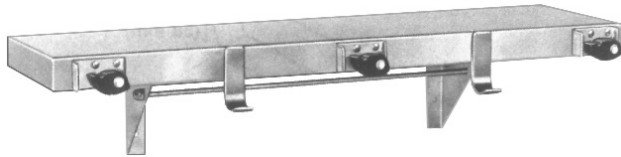


## UTILITY SHELVES

- Model 9983 – 2 Hooks/3 Holders
- Model 9984 – 3 Hooks/4 Holders **Bradlex™**
- Model 9985 – 4 Hooks/5 Holders
- Model 9986 – 5 Hooks/6 Holders



Model No.	Dim. "A"	Dim. "B"	Dim. "C"	Hooks	Holders
9983	30" (762 mm)	16-3/4" (425 mm)	12" (305 mm)	2	3
9984	36" (914 mm)	22-7/8" (581 mm)	10" (254 mm)	3	4
9985	42" (1067 mm)	28-7/8" (733 mm)	9" (229 mm)	4	5
9986	48" (1219 mm)	34-7/8" (886 mm)	8-3/8" (213 mm)	5	6

**MODEL 9983**  
**9984**  
**9985**  
**9986**

### CONSTRUCTION:

- **SHELF** fabricated of type 304 (18-8), 18 gauge stainless steel with exposed surfaces in architectural satin finish.
- **BRACKETS** fabricated of type 304 (18-8), 16 gauge stainless steel with exposed surfaces in architectural satin finish.
- **HOOKS** fabricated of type 304 (18-8), 14 gauge stainless steel with exposed surfaces in architectural satin finish.
- **HOLDERS** consist of spring activated rubber cams on plated steel retainers.
- **DRYING ROD** fabricated of 1/4" diameter solid stainless steel with satin finish.

### OPERATION:

Weight of mop or broom holds handle in place.

### INSTALLATION:

Secure to wall with mounting screws (included) at holes provided.

### GUIDE SPECIFICATION:

Surface mounted utility shelf shall be fabricated of type 304 (18-8), 18 gauge stainless steel in satin finish with 16 gauge brackets and 14 gauge hooks. Drying rod of 1/4" stainless steel. Mop and broom holders to have spring activated rubber cams.

**Surface Mounted Utility Shelf shall be Bradley Model 9983 (9984, 9985, 9986).**

Orders composed of products indicated as **Bradlex™** will be available to ship in one week after receipt of order at the factory. There is no pricing penalty for this service from Bradley.

Document No. 9165

This information is subject to change without formal notice.  
© 2004 Bradley Corporation  
12-22-2004

**Bradley** 

P.O. Box 309, Menomonee Falls, WI 53052-0309  
Phone 1-800-BRADLEY FAX 262-253-4161  
Web Site: <http://www.bradleycorp.com>