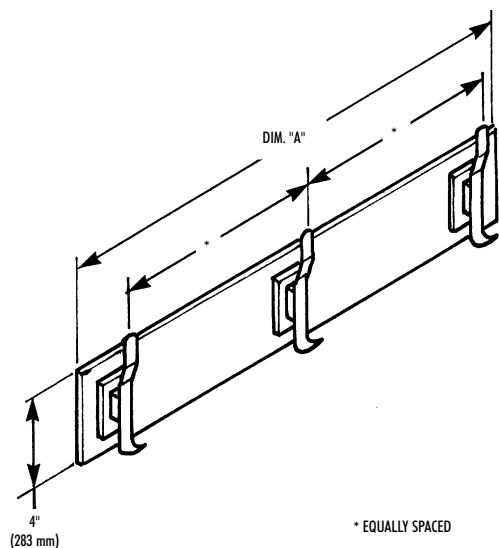
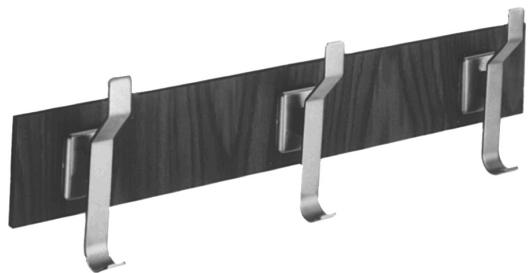


HAT AND COAT RACK

- Accent Series – Color Laminate
- Specify color _____
(See color chart in back of catalog)
- Model 9948-24 – 3 Hooks
- Model 9948-36 – 4 Hooks
- Model 9948-48 – 5 Hooks
- Model 9948-60 – 6 Hooks



DIMENSIONS		
Model	Dim. "A"	Hooks
9948-24	24" (610 mm)	3
9948-36	36" (914 mm)	4
9948-48	48" (1219 mm)	5
9948-60	60" (1524 mm)	6

CONSTRUCTION:

- **MOUNTING STRIP** fabricated of 5/16" thick solid laminate, made of colored Melamine bonded under high pressure to a phenolic core. All exposed edges are machined smooth to a uniform dark finish.
- **ESCUTCHEON** fabricated of type 304 (18-8), heavy gauge stainless steel with exposed surfaces in architectural satin finish.
- **POST** fabricated of type 304 (18-8), 22 gauge stainless steel with exposed surfaces in architectural satin finish.
- **HOOK** fabricated of type 304 (18-8), 14 gauge stainless steel.

INSTALLATION:

Secure to wall with concealed mounting screws (included) at holes provided. Snap escutcheons into place over flanges.

GUIDE SPECIFICATION:

Surface mounted hat and coat rack shall be fabricated of type 304 (18-8), 14 gauge stainless steel hooks in satin finish secured to 5/16" thick phenolic mounting strip with Melamine finish. All edges machined smooth to a uniform dark finish.

Surface Mounted Hat and Coat Rack shall be Bradley Model 9948 - _____
(Specify Bradley color number).