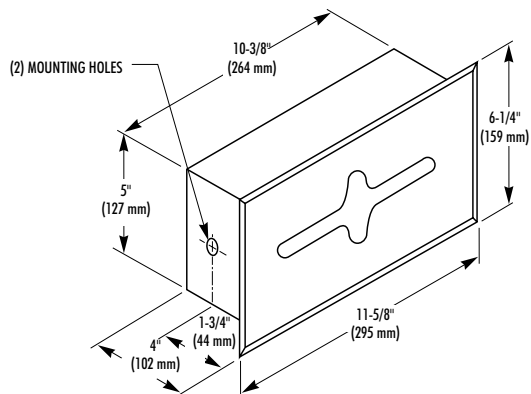
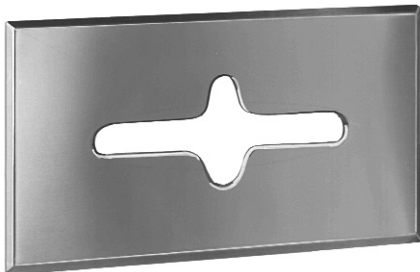


FACIAL TISSUE DISPENSER

- Recess Mounted
- Large Capacity

Bradex™



CONSTRUCTION:

- **FACEPLATE** fabricated of type 304 (18-8), 22 gauge stainless steel with exposed surfaces in architectural satin finish.
- **CONTAINER** fabricated of heavy gauge galvanized steel.

CAPACITY:

One box of 300 facial tissues.

OPERATION:

Friction catches permit easy and quick removal of faceplate for servicing.

INSTALLATION:

Requires rough wall opening 10-3/4"W x 5-1/8"H x 4"D. Secure to framing with mounting screws (included) at holes provided. Shim at screw points as required.

GUIDE SPECIFICATION:

Recessed facial tissue dispenser shall be fabricated of type 304 (18-8), 22 gauge stainless steel with exposed surfaces in satin finish. In-wall cabinet of cold rolled, corrosion resistant galvanized steel holds extra large 300 tissue pack.

Overall dimensions: 11-5/8"W x 6-1/4"H x 4"D.

Recessed Facial Tissue Dispenser shall be Bradley Model 987-36.

Orders composed of products indicated as **Bradex™** will be available to ship in one week after receipt of order at the factory. There is no pricing penalty for this service from Bradley.

Document No. 9115

This information is subject to change without formal notice.
1299RSSCJ

Bradley 

P.O. Box 309, Menomonee Falls, WI 53052-0309
Phone 1-800-BRADLEY FAX 262-253-4161
Web Site: <http://www.bradleycorp.com>
Technical Information Fax Service: 1-800-BRADFAX