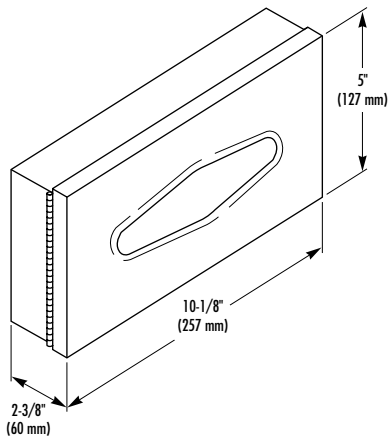


FACIAL TISSUE DISPENSER

- Surface Mounted



CONSTRUCTION:

- UNIT fabricated of type 304 (18-8), 22 gauge stainless steel with exposed surfaces in architectural satin finish.

CAPACITY:

One box of 200 facial tissues.

OPERATION:

Hinged faceplate with integral catch permits easy and quick removal of faceplate for servicing.

INSTALLATION:

Secure to wall with mounting screws (included) at holes provided.

GUIDE SPECIFICATION:

Surface mounted facial tissue dispenser fabricated of type 304 (18-8), 22 gauge stainless steel in satin finish. Holds standard 200 tissue pack.

Overall dimensions: 10-1/2"W x 5"H x 2-3/8"D.

Surface Mounted Facial Tissue Dispenser shall be Bradley Model 987-11.

Document No. 9110

This information is subject to change without formal notice.
© 2007 Bradley Corporation
4-2-2007

Bradley 

P.O. Box 309, Menomonee Falls, WI 53052-0309
Phone 1-800-BRADLEY FAX 262-253-4161
Web Site: <http://www.bradleycorp.com>