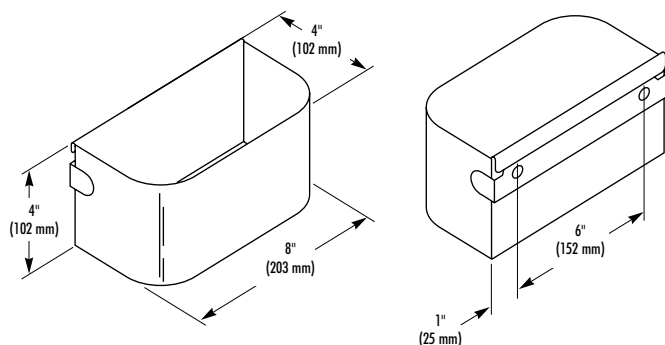


ASH URN



MODEL 970

CONSTRUCTION:

- **CONTAINER** fabricated of type 304 (18-8), 22 gauge stainless steel with exposed surfaces in architectural satin finish. All seams sealed to prevent leakage of extinguishing material. Rounded front corners and burr-free edges.
- **WALL BRACKET** fabricated of type 304 (18-8), 16 gauge stainless steel with exposed surfaces in architectural satin finish.

INSTALLATION:

Secure separate mounting bracket to wall with mounting screws (included) at holes provided. Attach ash urn.

GUIDE SPECIFICATION:

Surface mounted ash urn shall be fabricated of type 304 (18-8), 22 gauge stainless steel with exposed surfaces in architectural satin finish. Mounting to wall with separate 16 gauge mounting bracket.

Overall dimensions: 8"W x 4"H x 4"D.

Ash Urn shall be Bradley Model 970.

Orders composed of products indicated as **Bradex™** will be available to ship in one week after receipt of order at the factory. There is no pricing penalty for this service from Bradley.

Document No. 9070

This information is subject to change without formal notice.
1299RSSCJ

Bradley 

P.O. Box 309, Menomonee Falls, WI 53052-0309

Phone 1-800-BRADLEY FAX 262-253-4161

Web Site: <http://www.bradleycorp.com>

Technical Information Fax Service: 1-800-BRADFAX