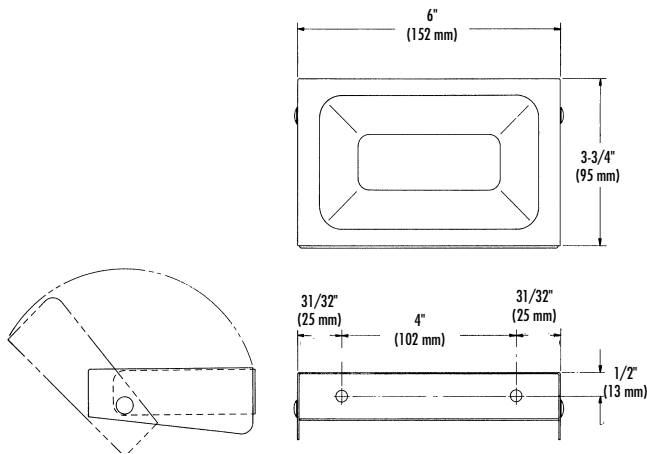


## ASHTRAY

- Surface Mounted
- Flip-Top
- Model 969 – Satin Stainless Steel



### CONSTRUCTION:

- ASHTRAY fabricated of type 304 (18-8), 22 gauge stainless steel. One piece drawn construction. Model 969 is satin stainless steel finish.
- MOUNTING BRACKET fabricated of type 304 (18-8), 14 gauge stainless steel.

### OPERATION:

Ashtray flips over for servicing without removal from mounting bracket.

### INSTALLATION:

Secure to wall or partition with mounting screws (included) at holes provided.

### GUIDE SPECIFICATION:

Surface mounted ashtray shall be fabricated of type 304 (18-8), 22 gauge stainless steel with exposed surfaces in satin stainless steel finish. Mounting bracket shall be 14 gauge in stainless steel.

**Surface Mounted Ashtray shall be Bradley Model 969.**

Document No. 9065

This information is subject to change without formal notice.  
© 2004 Bradley Corporation  
12-22-2004

**Bradley**

P.O. Box 309, Menomonee Falls, WI 53052-0309  
Phone 1-800-BRADLEY FAX 262-253-4161  
Web Site: <http://www.bradleycorp.com>