

## MEDICINE CABINET

- Recess Mounted
- Three Adjustable Shelves
- Reversible

**Bradex™**



### CONSTRUCTION:

- **CABINET** fabricated of 26 gauge steel, one-piece drawn construction finished with rust-resistant, baked-on enamel after forming. Sides formed to support adjustable shelf brackets.
- **DOOR** is fabricated of heavy gauge steel and finished with rust-resistant, baked-on enamel to match cabinet, equipped with full length piano hinge with built-in stop, protective door bumpers, and a magnetic catch.
- **MIRROR** is No. 1 quality, distortion-free float glass, electrolytically copper-backed with full surround stainless steel frame with tab closure. 1 year warranty.
- **SHELVES** (3) are prepainted metal.

### OPERATION:

Cabinet is reversible for left or right hand door swing. Shelves are removable and adjustable.

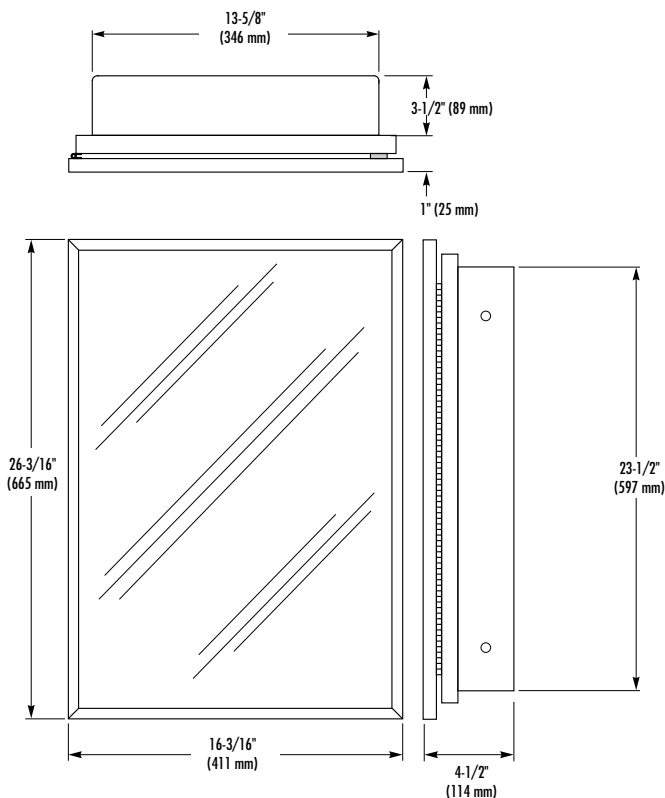
### INSTALLATION:

Cabinet requires rough wall opening of 14"W x 24"H x 3-5/8"D, with top of wall opening 6'-4" from finished floor. Secured to framing with mounting screws (included) through holes provided.

### GUIDE SPECIFICATION:

Recessed medicine cabinet shall be of one-piece, heavy gauge drawn steel construction finished with baked-on enamel after forming. Swing door shall have float glass mirror with full surround stainless steel channel frame with tab enclosure. Cabinet shall be equipped with three adjustable shelves, full length piano hinge, and magnetic catch. Cabinet shall be reversible for left or right hand door swing.

**Recess Mounted Medicine Cabinet shall be Bradley Model 9663.**



Orders composed of products indicated as **Bradex™** will be available to ship in one week after receipt of order at the factory. There is no pricing penalty for this service from Bradley.

**Document No. 9055**

This information is subject to change without formal notice.  
© 2003 Bradley Corporation  
4-18-2006

**Bradley** 

P.O. Box 309, Menomonee Falls, WI 53052-0309  
Phone 1-800-BRADLEY FAX 262-253-4161  
Web Site: <http://www.bradleycorp.com>