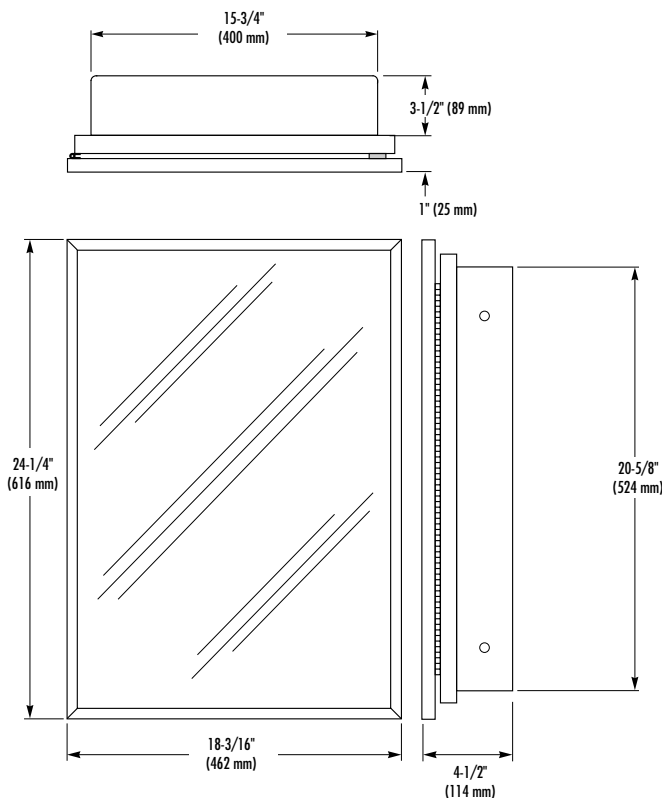


MEDICINE CABINET

- Recess Mounted
- Three Adjustable Shelves
- Reversible



CONSTRUCTION:

- **CABINET** fabricated of 20 gauge steel, one piece drawn construction, with rust-resistant baked-on enamel after forming. Sides formed to support adjustable shelf brackets.
- **DOOR** is fabricated of heavy gauge steel and finished with rust-resistant, baked-on enamel to match cabinet, equipped with full length piano hinge with built-in door stop, protective door bumpers, and a magnetic catch.
- **MIRROR** is No. 1 quality, distortion-free float glass, electrolytically copper-backed, with full surround stainless steel frame with positive screw closure. 1 year warranty.
- **SHELVES** (3) are metal.

OPERATION:

Cabinet is reversible for left or right hand door swing. Shelves are removable and adjustable

INSTALLATION:

Cabinet requires rough wall opening of 16-1/4"W x 21-1/4"H x 3-1/2"D, with top of wall opening 6'-2-3/4" from finished floor. Secured to framing with mounting screws (included) through holes provided.

GUIDE SPECIFICATION:

Recessed medicine cabinet shall be of one-piece, heavy gauge drawn steel construction finished with baked-on enamel after forming. Swing door shall have float glass mirror with full surround stainless steel channel frame with screw enclosure. Cabinet shall be equipped with three adjustable shelves, full piano hinge, and magnetic catch.

Cabinet shall be reversible for left or right hand door swing.

Recess Mounted Medicine Cabinet shall be Bradley Model 9662.

Orders composed of products indicated as **Bradex™** will be available to ship in one week after receipt of order at the factory. There is no pricing penalty for this service from Bradley.

Bradley 

P.O. Box 309, Menomonee Falls, WI 53052-0309
Phone 1-800-BRADLEY FAX 262-253-4161
Web Site: <http://www.bradleycorp.com>

Document No. 9050

This information is subject to change without formal notice.
© 2003 Bradley Corporation
6-7-2006