

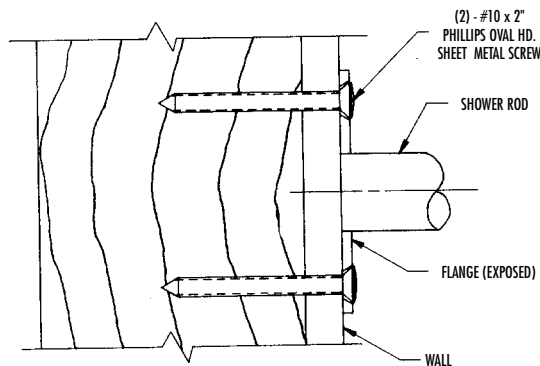
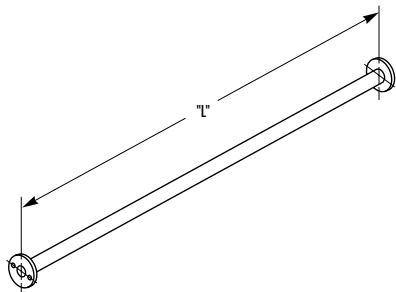
SHOWER CURTAIN ROD

- Exposed Mounting
Model 953 – 1" O.D.

- 36" **Bradex™**
- 42"
- 48"
- 60" **Bradex™**
- 72"

- Model 9531 – 1-1/4" O.D.

- 36" **Bradex™**
- 42" **Bradex™**
- 48" **Bradex™**
- 60" **Bradex™**
- 72"



MODEL 953 9531

CONSTRUCTION:

- **FLANGES** of type 304 (18-8), 22 gauge stainless steel. One piece drawn construction with exposed surfaces in architectural satin finish.
- **TUBING** of type 304 (18-8), 18 gauge stainless steel, seamless construction with exposed surfaces in architectural satin finish.

INSTALLATION:

To properly engage rod in support flanges, rod length must be no less than approximately 1/4" shorter than wall opening. Secure one flange to wall with mounting screws (included) at holes provided. Align mounting holes vertically. Slip opposite flange over rod and secure to opposite wall with rod in place.

OPTIONAL FEATURES:

Feature	Suffix
<input type="checkbox"/> Bright Polished Finish	-78

GUIDE SPECIFICATION:

Shower curtain rod shall be fabricated of type 304 (18-8), 18 gauge stainless steel in satin finish. Flanges shall be of 22 gauge stainless steel.

Shower Curtain Rod shall be Bradley Model 953 (9531).

Document No. 8970

This information is subject to change without formal notice.
© 2006 Bradley Corporation
10-13-2006

Orders composed of products indicated as **Bradex™** will be available to ship in one week after receipt of order at the factory. There is no pricing penalty for this service from Bradley.

Bradley 

P.O. Box 309, Menomonee Falls, WI 53052-0309
Phone 1-800-BRADLEY FAX 262-253-4161
Web Site: <http://www.bradleycorp.com>