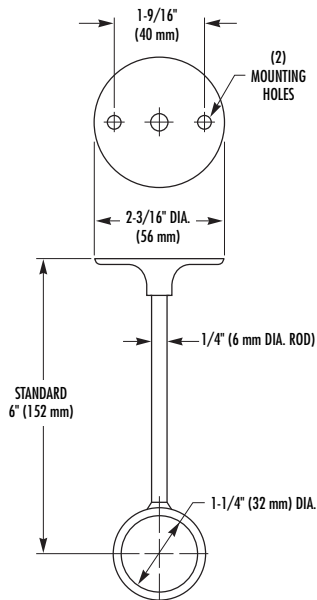


## SHOWER ROD CEILING SUPPORT

- For 1-1/4" O.D. Rod



### CONSTRUCTION:

- **CEILING BRACKET** fabricated of bright polished chrome plated brass, 2-3/16" dia. with 2 hole mounting. Support rod threaded in place.
- **SUPPORT ROD** fabricated of 1/4" dia. satin stainless steel rod.
- **ROD COLLAR** Model 9522, fabricated of satin stainless steel. Support rod and collar are one piece construction.

### INSTALLATION:

Secure bracket to ceiling with screws (included) at holes provided. Thread rod and rod collar to ceiling bracket.

### GUIDE SPECIFICATION:

Shower rod ceiling support shall be fabricated of bright polished chrome plated brass and satin stainless steel. Support rod shall be 1/4" dia. rod.

**Shower Rod Ceiling Support shall be Bradley Model 9522.**