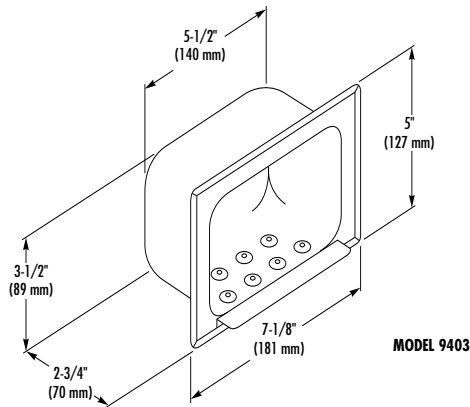
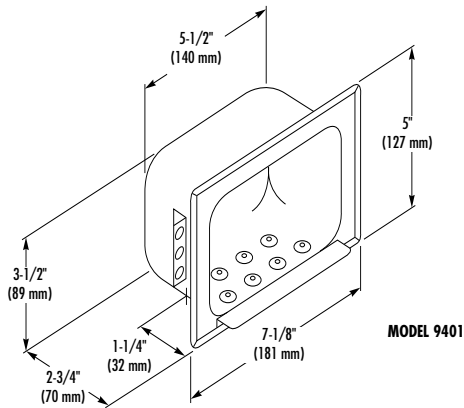


## SOAP DISH

- Recess Mounted
- Model 9401 – With Mortar Lugs
- Model 9403 – With Wall Clamp **Bradlex™**



**Document No. 8955**

This information is subject to change without formal notice.  
© 2007 Bradley Corporation  
9-10-2007

### CONSTRUCTION:

- **SOAP DISH** fabricated of type 304 (18-8), 20 gauge stainless steel with exposed surfaces in architectural satin finish. Drawn one-piece seamless construction.
- **DRIP LIP** fabricated of type 304 (18-8), 18 gauge stainless steel with exposed surfaces in architectural satin finish.

### INSTALLATION:

Requires rough wall opening 6-1/4"W x 4-1/4"H x 2-3/4"D. Model 9401 has mortar lugs for anchoring in cement. Model 9403 has recessed wall clamp.

### OPTIONAL FEATURES

Feature	Suffix
<input type="checkbox"/> Less Drip Lip	-96

NOTE: Option only available on Model 9403.

### GUIDE SPECIFICATION:

Recessed soap dish shall be fabricated of type 304 (18-8), 20 gauge stainless steel of drawn seamless construction and satin finish.

Overall dimensions: 7-1/8"W x 5"H x 2-3/4"D.

**Recessed Soap Dish shall be Bradley Model 9401 (9403).**

**Bradley** 

P.O. Box 309, Menomonee Falls, WI 53052-0309  
Phone 1-800-BRADLEY FAX 262-253-4161  
Web Site: <http://www.bradleycorp.com>