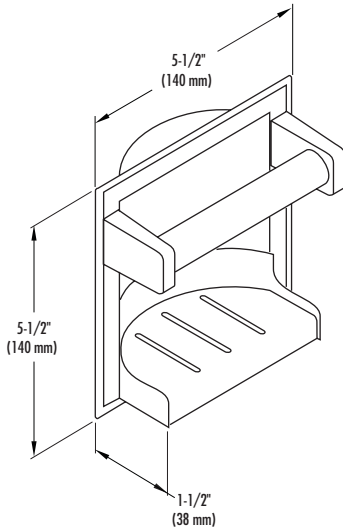


SOAP DISH

- Recessed
- Chrome-Plated
- Model 936 – Bass Housing



Document No. 8940

This information is subject to change without formal notice.
© 2007 Bradley Corporation
4-20-2007

CONSTRUCTION:

- HOUSING fabricated of chrome-plated brass.
- SOAP TRAY fabricated of heavy clear plastic.

OPERATION:

Soap tray is removable for cleaning.

INSTALLATION:

Requires rough wall opening 4-1/2"W x 4-1/2"H x 1-1/4"D. Secure to framing with screws (included) at holes provided.

OPTIONAL FEATURES

Feature	Suffix
<input type="checkbox"/> Back clamp for gypsum wallboard mounting	-55

GUIDE SPECIFICATION:

Recessed soap dish shall be chrome-plated brass with removable soap tray.

Overall dimensions: 5-1/2"W x 5-1/2"H x 2"D.

Recessed Soap Dish shall be Bradley Model 936.



P.O. Box 309, Menomonee Falls, WI 53052-0309
Phone 1-800-BRADLEY FAX 262-253-4161
Web Site: <http://www.bradleycorp.com>