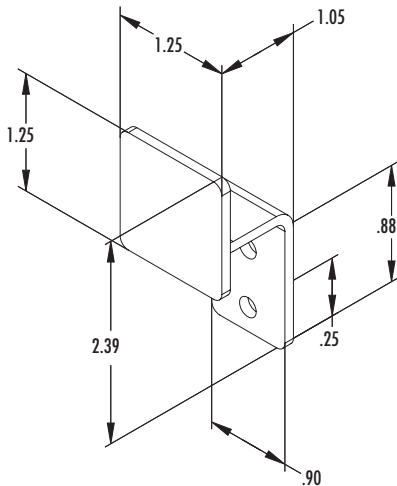


# CLOTHES HOOK

- Exposed Mounting
- Stainless Steel

**Bradex™**



## CONSTRUCTION:

- **CLOTHES HOOK** fabricated of type 304 (18-8), 12-gauge stainless steel with exposed surfaces in satin finish. All welded construction.
- **CONCEALED MOUNTING PLATE** fabricated of 12 gauge plated steel in bright chrome finish.

## INSTALLATION:

Secure to wall with mounting screws (included) at holes provided.

## GUIDE SPECIFICATION:

Clothes hook shall be type 304 (18-8), 12-gauge stainless steel with exposed surfaces in satin finish.

**Clothes Hook shall be Bradley Model 917.**

Orders composed of products indicated as **Bradex™** will be available to ship in one week after receipt of order at the factory. There is no pricing penalty for this service from Bradley.

Document No. 8927

This information is subject to change without formal notice.  
1002BLCJ



P.O. Box 309, Menomonee Falls, WI 53052-0309  
Phone 1-800-BRADLEY FAX 262-253-4161  
Web Site: <http://www.bradleycorp.com>  
Technical Information Fax Service: 1-800-BRADFAX