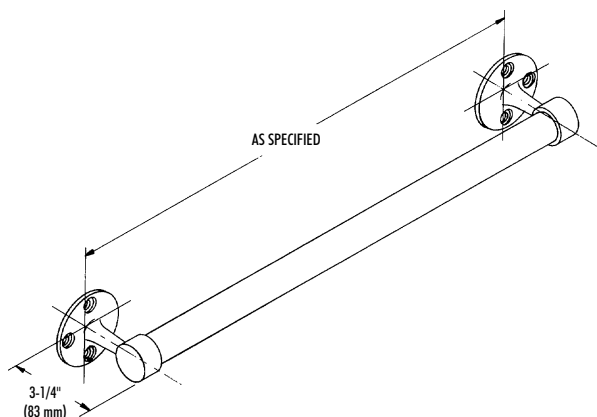


TOWEL BAR

- 1" Diameter Stainless Steel

Specify Length:

- 18 Inches (457 mm)
- 24 Inches (610 mm)
- 30 Inches (762 mm)



CONSTRUCTION:

- **SUPPORT POSTS** fabricated of heavy cast brass, chrome plated and polished to a satin finish. Stainless steel set screw keeps bar from turning in posts.
- **TOWEL BAR** fabricated of type 304 (18-8), 18 gauge stainless steel, 1" diameter, seamless construction with satin finish.

INSTALLATION:

Secure one support post to finished wall surface with mounting screws (included) at holes provided. Insert bar in posts, secure remaining post to wall. Tighten set screw.

GUIDE SPECIFICATION:

Surface mounted towel bar shall have chrome plated cast brass support posts with satin finish. Towel bar shall be 1" diameter, 18 gauge seamless construction with satin finish.

Surface Mounted Towel Bar shall be Bradley Model 908-_____ (specify length).