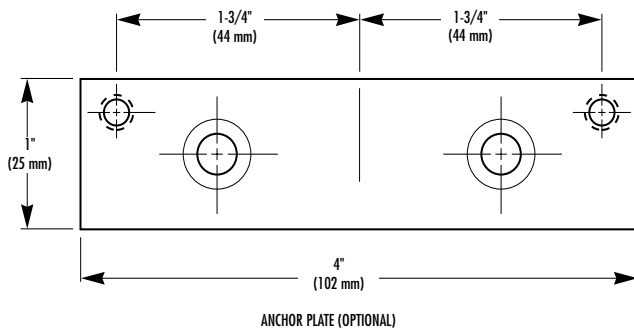
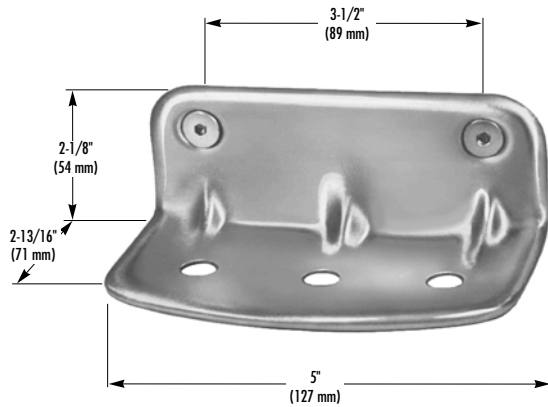


SOAP DISH

- Surface-Mounted
- Stainless Steel – Heavy Duty



CONSTRUCTION:

- **SOAP DISH** fabricated of type 304 (18-8), 18 gauge stainless steel with exposed surfaces in architectural satin finish. Formed from single piece of stainless steel. Three drain holes in bottom.

OPERATION:

Three holes in bottom of tray permit water drainage.

INSTALLATION:

Secure to wall with mounting screws (stainless steel 1/4"-20 x 1-1/4" flat Allen head machine screws included) at holes provided.

OPTIONAL FEATURES

Feature	Suffix
<input type="checkbox"/> Cadmium-plated anchor plate	-59
<input type="checkbox"/> Zinc plated steel 1/4" x 1-1/4" flat head wood screws in lieu of machine screws	-61

GUIDE SPECIFICATION:

Heavy duty soap dish shall be fabricated of 18 gauge (0.049") satin finish stainless steel and have three holes for drainage. Unit to be mounted with two 1/4"-20 x 1-1/4" stainless steel flat Allen head mounting screws.

Overall dimensions: 5"W x 2-1/8"H x 2-3/4"D.

Soap Dish shall be **Bradley Model 9001**.

Document No. 8890

This information is subject to change without formal notice.
© 2007 Bradley Corporation
4-3-2007

Bradley 

P.O. Box 309, Menomonee Falls, WI 53052-0309
Phone 1-800-BRADLEY FAX 262-253-4161
Web Site: <http://www.bradleycorp.com>