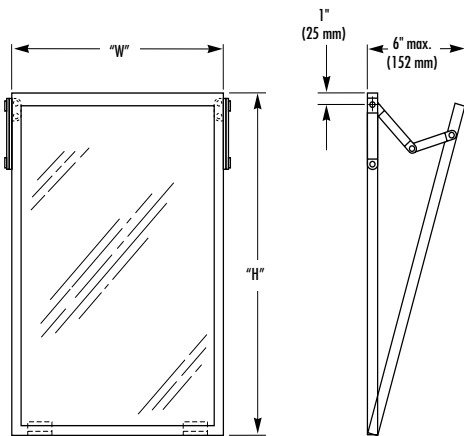




# TILT MIRROR

- Adjustable Tilt
- Welded Corners



## CONSTRUCTION:

- **FRAME** fabricated of heavy-gauge, one-piece roll-formed stainless steel, 3/4" x 3/4" angle with corners heliarc welded, ground and polished smooth to a satin finish. Double-strength continuous integral stiffeners on all sides for added strength. Bevel on front of angle secures frame flush against mirror. Two 1/4" barrel butt hinges welded to bottom of frame.
- **BACK** fabricated of galvanized steel, secured to frame with concealed screws.
- **MIRROR** of first quality 1/4" float glass, triple silver plated with electro-copper plated layer and thermosetting infrared cured paint backing with Poly-Glaze protective finish. Meets federal specification DD-M-00411b against silver spoilage and guaranteed for 15 years.
- **SUPPORT BRACKETS** fabricated of heavy gauge stainless steel, electro-polished. Self-locking brackets securely riveted to frame.

## INSTALLATION:

Secure lower hinges to wall with screws (included) at holes provided. NOTE: Provide in-wall backing at mounting screw locations. Mount top brackets to permit full arm extension.

## OPTIONAL FEATURES:

Feature	Suffix
<input type="checkbox"/> 1/4" tempered glass mirror in lieu of polished float glass mirror	-2
<input type="checkbox"/> Laminate glass	-3
<input type="checkbox"/> Highly polished No. 8 architectural finish, 20 gauge stainless steel in lieu of polished float glass mirror	-4
<input type="checkbox"/> Bright annealed 20 gauge stainless steel in lieu of polished float glass mirror	-5
<input type="checkbox"/> Plexiglass	-6

**NOTE:** An inherent characteristic of a manufacturing process is distortion which may vary from mirror to mirror.

## GUIDE SPECIFICATION:

Adjustable tilt mirror shall be framed with heavy-gauge, one-piece roll-formed 3/4" x 3/4" stainless steel angle with double-strength continuous integral stiffeners. Welded corners shall be polished to a uniform satin finish. Mirror shall be of first quality 1/4" float glass guaranteed for 15 years against silver spoilage and protected by a shock absorbing, waterproof filler with Poly-Glaze protective finish. Self-locking adjustable support brackets shall be polished stainless steel and riveted to frame.

**Adjustable Tilt Framed Mirror shall be Bradley Model 782-\_\_\_\_\_ " W x \_\_\_\_\_ " H (specify width and height).**

Document No. 8795

This information is subject to change without formal notice.  
© 2007 Bradley Corporation  
3-14-2007



P.O. Box 309, Menomonee Falls, WI 53052-0309  
Phone 1-800-BRADLEY FAX 262-253-4161  
Web Site: <http://www.bradleycorp.com>