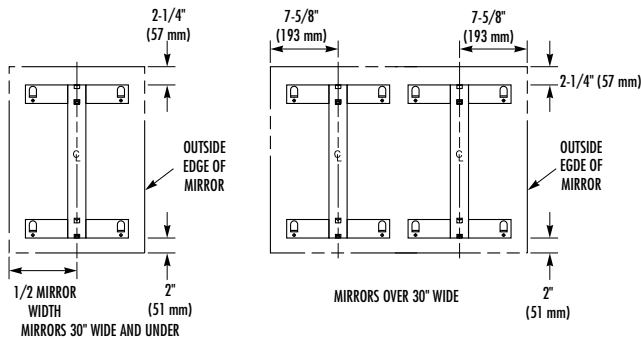
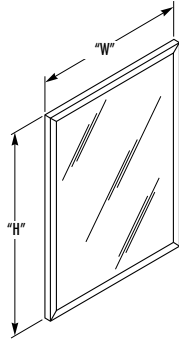


**MIRROR**

- Roll-Formed Channel Frame
- Theft Resistant Mounting
- **Bradex**®



<b>Bradex</b> ® Models				
Width (Inches)	Height (Inches)	Overall Dimension (Inches)	Overall Dimension (Millimeters)	Standard Model Number
18"	24"	18 x 24	457 x 610	781-1824
18"	30"	18 x 30	457 x 762	781-1830
18"	36"	18 x 36	457 x 914	781-1836
24"	30"	24 x 30	610 x 762	781-2430
24"	36"	24 x 36	610 x 914	781-2436
24"	60"	24 x 60	610 x 1524	781-2460

Model 781 series channel framed mirrors can be fabricated to fit any architectural requirement. To specify sizes other than those indicated above, use the following formula: Model 781 + width in inches x height in inches. Example 781 - 3054.

Document No. 8785

This information is subject to change without formal notice.  
© 2007 Bradley Corporation  
8-1-2007

**CONSTRUCTION:**

- **FRAME** fabricated of heavy-gauge, one-piece, roll-formed stainless steel with bright annealed finish. Channel is 3/4" x 3/4" x 7/16" with 90° mitered corners. Double-strength continuous integral stiffener on all sides for added strength.
- **BACK** fabricated of galvanized steel.
- **MIRROR** of first quality 1/4" float glass triple silver plated with electro-copper plated layer and thermosetting infrared cured paint backing with Poly-Glaze protective finish. Meets federal specification DD-M-00411b against silver spoilage and guaranteed for 15 years. All edges protected by shock-absorbing, neoprene tubing.
- **MOUNTING BRACKETS** fabricated of 18 gauge cold rolled steel.

**INSTALLATION:**

Secure concealed mounting bracket to wall with screws (not included) at holes provided. Mounting kits available through Bradley (ref. #899-026). Refer to technical data sheet #8880. NOTE: Provide in-wall backing at mounting screw locations. Position mirror over mounting bracket to engage hanger tabs. Slide mirror down and lock into position.

**OPTIONAL FEATURES:**

Feature	Suffix
<input type="checkbox"/> 1/4" tempered glass mirror in lieu of polished float glass mirror	-2
<input type="checkbox"/> Laminate glass	-3
<input type="checkbox"/> Highly polished No. 8 architectural finish, 20-gauge stainless steel in lieu of polished float glass mirror	-4
<input type="checkbox"/> Bright annealed 20-gauge stainless steel in lieu of polished float glass mirror	-5
<input type="checkbox"/> Plexiglass	-6

**NOTE:** An inherent characteristic of a manufacturing process is distortion which may vary from mirror to mirror.

**GUIDE SPECIFICATION:**

Mirror shall be framed with one-piece, roll-formed stainless steel with 3/4" face and neatly mitered corners. Double-strength continuous integral stiffener on all sides. Back of unit shall be galvanized steel. Separate mounting brackets for concealed mounting. Mirror shall be of first quality 1/4" polished float glass, guaranteed for 15 years against silver spoilage and protected by shock absorbing, neoprene tubing with Poly-Glaze protective finish.

**Framed Mirror shall be Bradley Model 781-\_\_\_\_\_ " W x \_\_\_\_\_ " H (specify width and height).**

Orders composed of products indicated as **Bradex**® will be available to ship in one week after receipt of order at the factory. There is no pricing penalty for this service from Bradley.



P.O. Box 309, Menomonee Falls, WI 53052-0309  
Phone 1-800-BRADLEY FAX 262-253-4161  
Web Site: <http://www.bradleycorp.com>