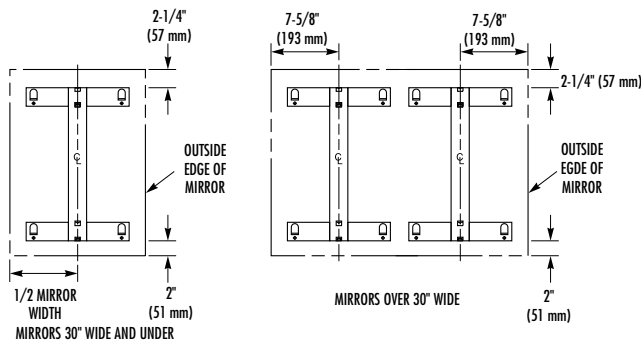
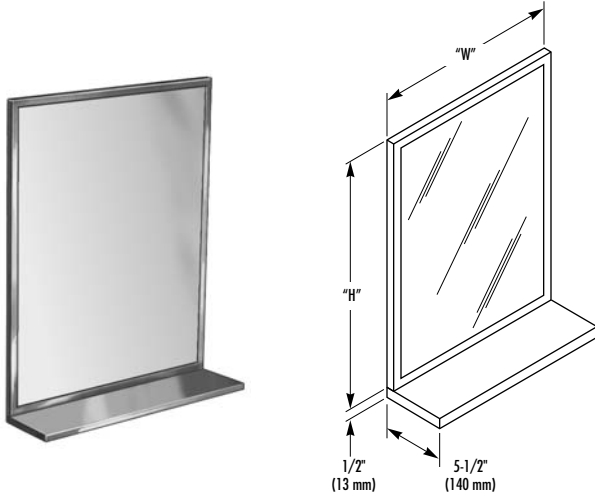


MODEL 7805

MIRROR SHELF

- Angle Frame – Welded Corners
- Integral Shelf
- Theft-Resistant Mounting
- **Bradex®**



Bradex® Models				
Width (Inches)	Height (Inches)	Overall Dimension (Inches)	Overall Dimension (Millimeters)	Standard Model Number
18"	24"	18 x 24	457 x 610	7805-1824
18"	36"	18 x 36	457 x 914	7805-1836

Model 7805 series angle framed mirrors can be fabricated to fit any architectural requirement. To specify sizes other than those indicated above, use the following formula: Model 7805 + width in inches x height in inches. Example 7805 - 3054.

Orders composed of products indicated as **Bradex®** will be available to ship in one week after receipt of order at the factory. There is no pricing penalty for this service from Bradley.

Document No. 8780

This information is subject to change without formal notice.
© 2008 Bradley Corporation
7-31-2008

CONSTRUCTION:

- **FRAME** fabricated of heavy-gauge, one-piece, roll-formed stainless steel, 3/4" x 3/4" angle with corners heliarc welded, ground and polished smooth to a satin finish. Double strength continuous integral stiffener on all sides for added strength. Bevel on front of angle secures frame flush against mirror.
- **BACK** fabricated of galvanized steel, secured to frame with concealed screws, equipped with integral horizontal hanging brackets.
- **MIRROR** of first quality 1/4" float glass triple silver plated with electro-copper plated layer and thermosetting infrared cured paint backing with Poly-Glaze protective finish. Meets federal specification DD-M-00411b against silver spoilage and guaranteed for 15 years. All edges protected by shock-absorbing, neoprene tubing.
- **SHELF** fabricated of 18-gauge stainless steel with exposed surfaces in architectural satin finish. Welded to frame.
- **SHELF BRACKETS** fabricated of 16 gauge stainless steel are provided on units exceeding 48" width.

INSTALLATION:

Secure concealed mounting bracket to wall with screws (not included) at holes provided. Mounting kits available through Bradley (ref. #899-026). Refer to technical data sheet #8880. NOTE: Provide in-wall backing at mounting screw locations. Position mirror over mounting bracket to engage hanger tabs. Slide mirror down and lock into position.

OPTIONAL FEATURES:

Feature	Suffix
<input type="checkbox"/> 1/4" tempered glass mirror in lieu of polished float glass mirror	-2
<input type="checkbox"/> Laminate glass	-3
<input type="checkbox"/> Highly polished No. 8 architectural finish, 20-gauge stainless steel in lieu of polished float glass mirror	-4
<input type="checkbox"/> Bright annealed 20-gauge stainless steel in lieu of polished float glass mirror	-5
<input type="checkbox"/> Plexiglass	-6

NOTE: An inherent characteristic of a manufacturing process is distortion which may vary from mirror to mirror.

GUIDE SPECIFICATION:

Mirror shall be framed with heavy gauge, one-piece, roll-formed, 3/4" x 3/4" stainless steel angle with double-strength continuous integral stiffener. Welded corners shall be polished to a uniform satin finish. Integral 18 gauge stainless steel shelf shall have front and side flanges with welded and polished corners. Mirror shall be of first quality 1/4" float glass guaranteed for 15 years against silver spoilage and protected by a shock absorbing, neoprene tubing with Poly-Glaze protective finish. Back of unit shall be galvanized steel secured to frame with concealed screws, equipped with integral horizontal hanging brackets and separate wall hanger for concealed mounting.

Framed Mirror and Shelf shall be Bradley Model 7805-_____ " W x _____ " H (specify width and height).



P.O. Box 309, Menomonee Falls, WI 53052-0309
Phone 1-800-BRADLEY FAX 262-253-4161
Web Site: <http://www.bradleycorp.com>