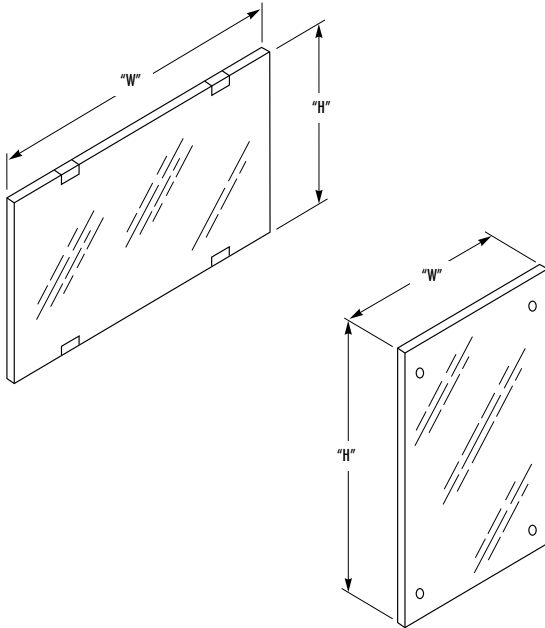


**MODEL 747  
7471**

**FRAMELESS MIRROR**

- Model 747 – Clip Fasteners
- Model 7471 – Rosette Fasteners
- Model 747-024360 **Bradex**®



**CONSTRUCTION:**

- **MIRROR** of first quality 1/4" float glass, triple silver plated with electro-copper plated layer and thermosetting infrared cured paint backing. Meets federal specification DD-M-00411b against silver spoilage and guaranteed for 15 years. Edges ground and polished smooth.

**INSTALLATION:**

- **MODEL 747:** Secure mounting clips (metal) to wall with screws included, then engage mirror into clips.
- **MODEL 7471:** Secure mirror to wall with screws included, then fasten rosettes (plastic) to mirror.

**GUIDE SPECIFICATION:**

Frameless mirror shall be of first quality 1/4" float glass, triple-silvered, electro-copper plated with baked enamel backing, guaranteed for 15 years against silver spoilage. Edges ground and polished smooth.

Frameless Mirror shall be Bradley Model 747 (7471)- \_\_\_\_\_" W x \_\_\_\_\_" H (specify width and height).

**OPTIONAL FEATURES**

Features	Suffix
<input type="checkbox"/> 1/4" tempered glass mirror in lieu of polished float glass mirror*	-2

\*Either the Length (L) or the Width (W) must be greater than 25".

Document No. 8735

This information is subject to change without formal notice.  
© 2008 Bradley Corporation  
9-10-2008

Orders composed of products indicated as **Bradex**® will be available to ship in one week after receipt of order at the factory. There is no pricing penalty for this service from Bradley.



P.O. Box 309, Menomonee Falls, WI 53052-0309  
Phone 1-800-BRADLEY FAX 262-253-4161  
Web Site: <http://www.bradleycorp.com>