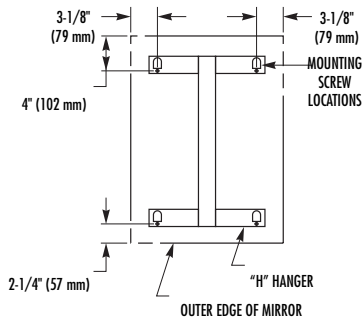
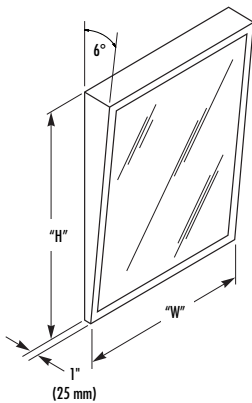


 When installed as specified, unit meets "Barrier-Free" requirements

TILT MIRROR

- Fixed Tilt
- Welded Corners
- **Bradex®**



CONSTRUCTION:

- **FRAME** fabricated of type 304 (18-8), 20 gauge stainless steel, corners heliarc welded and ground smooth to satin finish. 20 gauge angle stiffeners welded to frame provide additional rigidity.
- **BACK** fabricated of galvanized steel, secured to frame with concealed screws equipped with integral horizontal hanging brackets.
- **MIRROR** of first quality 1/4" float glass triple silver plated with electro-copper plated layer and thermosetting infrared cured paint backing with Poly-Glaze protective finish. Meets federal specification DD-M-00411b against silver spoilage and guaranteed for 15 years.
- **WALL HANGER** fabricated of 18 gauge cold rolled steel, all welded construction to form rigid template.

INSTALLATION:

Secure concealed mounting bracket to wall with screws (not included) at holes provided. NOTE: Provide in-wall backing at mounting screw locations. Position mirror over mounting bracket to engage hanger tabs. Slide mirror down and lock into position.

OPTIONAL FEATURES:

Feature	Suffix
<input type="checkbox"/> 1/4" tempered glass mirror in lieu of polished float glass mirror	-2
<input type="checkbox"/> Laminate glass	-3
<input type="checkbox"/> Highly polished No. 8 architectural finish, 20 gauge stainless steel in lieu of polished float glass mirror	-4
<input type="checkbox"/> Bright annealed 20 gauge stainless steel in lieu of polished float glass mirror	-5
<input type="checkbox"/> Plexiglass	-6

NOTE: An inherent characteristic of a manufacturing process is distortion which may vary from mirror to mirror.

GUIDE SPECIFICATION:

Fixed tilt mirror shall be framed with type 304 (18-8), 20 gauge stainless steel with 20 gauge concealed stiffeners. Welded corners shall be polished to a uniform satin finish. Mirror shall be of first quality 1/4" float glass guaranteed for 15 years against silver spoilage and protected by a shock absorbing, waterproof foam filler with Poly-Glaze protective finish. Back of unit shall be galvanized steel secured to frame with concealed screws, equipped with integral horizontal hanging brackets and separate wall hanger for concealed mounting.

Fixed Tilt Framed Mirror shall be Bradley Model 740-_____ " W x _____ " H (specify width and height).

Orders composed of products indicated as **Bradex®** will be available to ship in one week after receipt of order at the factory. There is no pricing penalty for this service from Bradley.

Bradex® Models				
Width (Inches)	Height (Inches)	Overall Dimension (Inches)	Overall Dimension (Millimeters)	Standard Model Number
18"	30"	18 x 30	457 x 762	740-1830
18"	36"	18 x 36	457 x 914	740-1836
24"	36"	24 x 36	610 x 914	740-2436

Model 740 series angle framed mirrors can be fabricated to fit any architectural requirement. To specify sizes other than those indicated above, use the following formula: Model 740 + width in inches x height in inches. Example: 740 - 2436.

Document No. 8725

This information is subject to change without formal notice.
© 2007 Bradley Corporation
7-11-2007



P.O. Box 309, Menomonee Falls, WI 53052-0309
Phone 1-800-BRADLEY FAX 262-253-4161
Web Site: <http://www.bradleycorp.com>