

COMBINATION UNIT

- Recess-Mounted – Seat Cover/Tissue Dispenser
- Model 5922-69 – Recessed **Bradex™**



This unit meets Barrier Free requirements when mounted in accordance with local codes and ordinances.

CONSTRUCTION:

- **FLANGE** fabricated of type 304 (18-8), 22 gauge stainless steel with exposed surfaces in architectural satin finish. Flange of one piece seamless construction, 1" wide with 1/4" return.
- **CABINET** fabricated of type 304 (18-8), 22 gauge stainless steel with exposed surfaces in architectural satin finish. Welded construction with burr-free edges.
- **DOOR** fabricated of type 304 (18-8), 18 gauge stainless steel with full length piano hinge and tumbler lock keyed like other Bradley units.
- **SPINDLES** of polyethylene, non-removable by user.

CAPACITY:

Toilet Seat Cover Dispensers - 1,000 standard single-fold or half-fold toilet seat covers;
Toilet Tissue Dispensers - two standard core toilet tissue rolls through 5" in diameter.

OPERATION:

Hinged access door permits servicing of components from one side.

INSTALLATION:

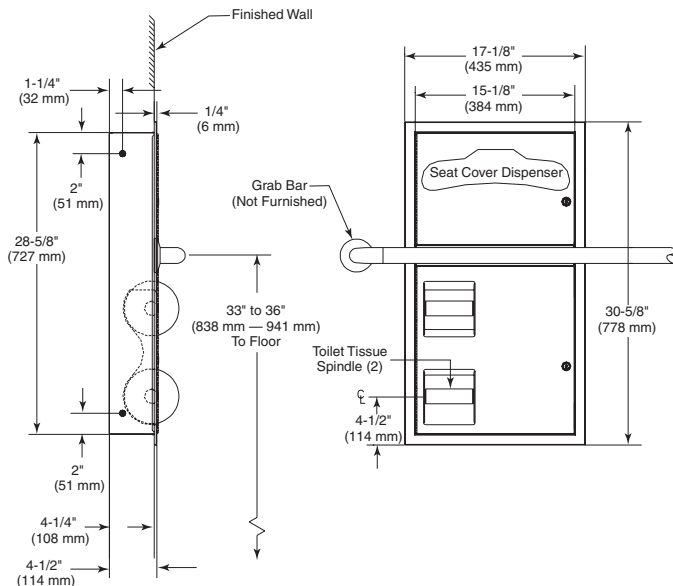
Requires rough wall opening 15-3/8"W x 28-7/8"H x 4-1/4"D. Secure to framing with mounting screws (included) at holes provided. Recessed unit allows clearance for grab bar (not included) across front of unit.

GUIDE SPECIFICATION:

Recessed combination unit shall include toilet seat cover dispenser and toilet tissue dispenser, and be fabricated of type 304 (18-8), heavy gauge stainless steel with seamless exposed surfaces in satin finish. Door and back panel shall be 18 gauge. Door shall have piano hinge and tumbler lock.

Overall dimensions: 17-1/8"W x 30-5/8"H x 4-1/2"D.

Recessed Combination Unit shall be Bradley Model 5922-69.



Orders composed of products indicated as **Bradex™** will be available to ship in one week after receipt of order at the factory. There is no pricing penalty for this service from Bradley.

Document No. 8612

This information is subject to change without formal notice.
© 2006 Bradley Corporation
11-6-2006

Bradley

P.O. Box 309, Menomonee Falls, WI 53052-0309
Phone 1-800-BRADLEY FAX 262-253-4161
Web Site: <http://www.bradleycorp.com>