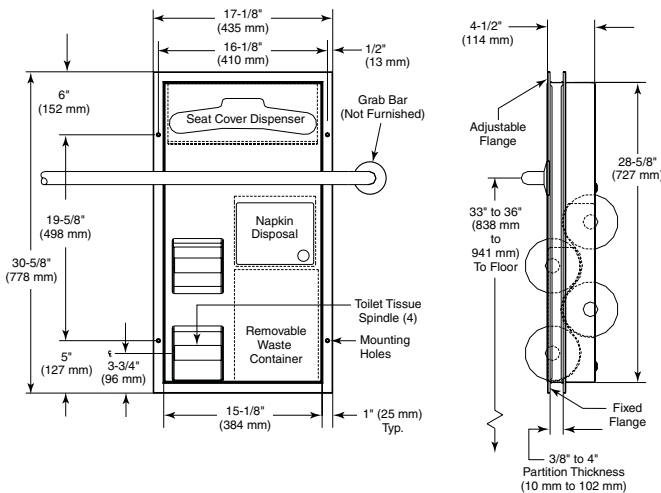


COMBINATION UNIT

- Partition Mounted – Flush One Side For Grab Bar Installation
- Serves Two Compartments
- Seat Cover Dispenser
- Dual Roll Tissue Dispenser
- Napkin Disposal



CONSTRUCTION:

- **FLANGE** fabricated of type 304 (18-8), 22 gauge stainless steel with exposed surfaces in architectural satin finish. Flange of one piece seamless construction, 1" wide with 1/4" return.
- **CABINET** fabricated of type 304 (18-8), 22 gauge stainless steel with exposed surfaces in architectural satin finish. Welded construction with burr-free edges.
- **DOOR** fabricated of type 304 (18-8), 18 gauge stainless steel with full length piano hinge and tumbler lock keyed like other Bradley units.
- **PUSH FLAP DOOR** fabricated of type 304 (18-8), 22 gauge stainless steel with exposed surfaces in architectural satin finish. Self-closing, with heavy duty stainless steel piano hinge.
- **WASTE CONTAINER** fabricated of leakproof molded plastic. 0.88 gal. capacity.
- **SPINDLES** of polyethylene, non-removable by user.

CAPACITY:

Toilet Seat Cover Dispensers - single-fold or half-fold toilet seat covers; Toilet Tissue Dispensers - four standard core toilet tissue rolls through 5-1/4" in diameter.

OPERATION:

Hinged access door permits servicing of components from one side.

INSTALLATION:

Mounts in partition of toilet compartment for physically handicapped. One side flush against partition allows clearance for grab bar (not included) across front of unit. Requires partition opening 15-3/8"W x 28-7/8"H. (Location of hole and dimensions should be noted in partition specifications.) Flanges adjustable for partitions from 3/8" to 4" thick. Remove one flange and install cabinet in partition opening flush against partition. Position flanges on both sides of cabinet and secure with mounting screws (included) at holes provided.

GUIDE SPECIFICATION:

Partition mounted combination unit shall include toilet seat cover dispenser, toilet tissue dispenser, and napkin disposal, and be fabricated of type 304 (18-8), heavy gauge stainless steel with seamless exposed surfaces in satin finish. Door and back panel shall be 18 gauge. Door shall have piano hinge and tumbler lock. Fixed flange shall provide for flush mounting on one side for grab bar installation.

Overall dimensions: 17-1/8"W x 30-5/8"H x 4-1/2"D.

Partition Mounted Combination Unit shall be Bradley Model 5911.

Document No. 8585

This information is subject to change without formal notice.
© 2007 Bradley Corporation
4-4-2007

Bradley

P.O. Box 309, Menomonee Falls, WI 53052-0309
Phone 1-800-BRADLEY FAX 262-253-4161
Web Site: <http://www.bradleycorp.com>