

- Model 5234 — Satin Stainless Steel **Bradex**[®]
- Model 5235 — Bright Polish **Bradex**[®]
- Non-Controlled Delivery
- Dual Roll (For Single Roll see Models 5084 and 5085)

Product Materials

POSTS: 22 gauge stainless steel with exposed surfaces in architectural satin finish (Model 5234) or bright polish finish (Model 5235).

ESCUTCHEONS: heavy stainless steel with exposed surfaces in architectural satin finish (Model 5084) or bright polish finish (Model 5085).

SPINDLES: chrome-plated plastic.

MOUNTING BRACKET: 18 gauge stainless steel.

Capacity

Two standard core toilet tissue rolls through 5-1/2" in diameter.

Operation

Concealed spring permits spindle to telescope for servicing. Spindle turns freely for non-controlled delivery.

Installation

Verify all rough-in dimensions prior to installation. Secure concealed wall mounting bracket to wall with screws (included) at holes provided. Mount projecting arms and escutcheons to bracket and secure with concealed locking screw. Snap escutcheons into place.

Optional Features

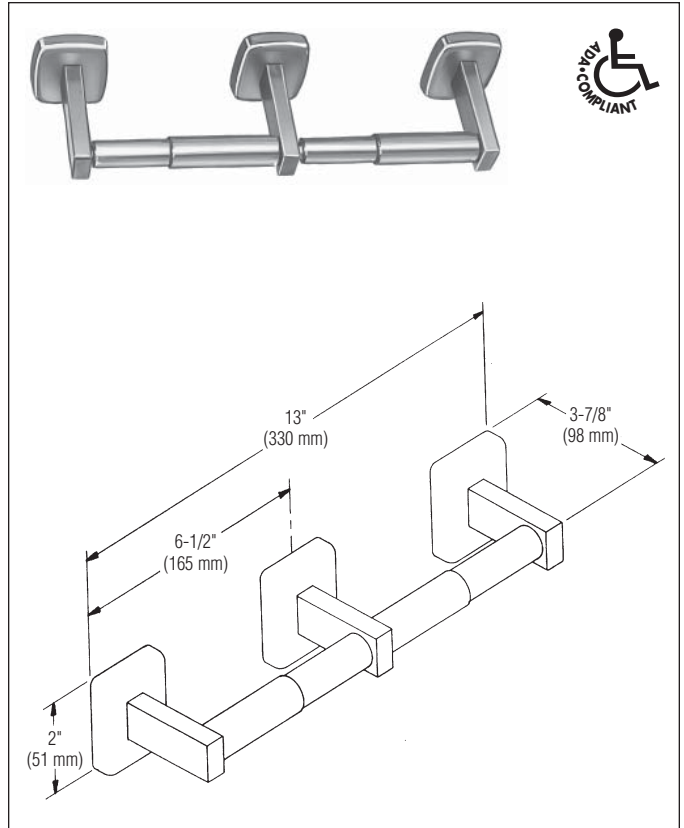
Feature	Suffix
<input type="checkbox"/> Anti-theft spindle	-52

Guide Specification

Model 5234: Surface-mounted dual roll toilet tissue dispenser shall be heavy gauge stainless steel with satin finish and hold two standard core toilet tissue rolls.

Model 5235: Surface-mounted dual roll toilet tissue dispenser shall be heavy gauge stainless steel with bright polish finish and hold two standard core toilet tissue rolls.

Overall dimensions: 13"W x 2"H x 3-7/8"D.



ADA Compliant

- Consult local and national accessibility codes for proper installation guidelines.
- Conformity and compliance to local and national codes is the responsibility of the installer.

Washroom Accessories
Document No. 8515

Orders composed of products indicated as **Bradex**[®] will be available to ship in three days after receipt of order at the factory. There is no pricing penalty for this service from Bradley. This information is subject to change without formal notice.

9-30-2008

© 2008 Bradley Corporation
P.O. Box 309, Menomonee Falls, WI 53052-0309
Phone: 800.BRADLEY (800.272.3539) Fax: 262.253.4161
bradleycorp.com