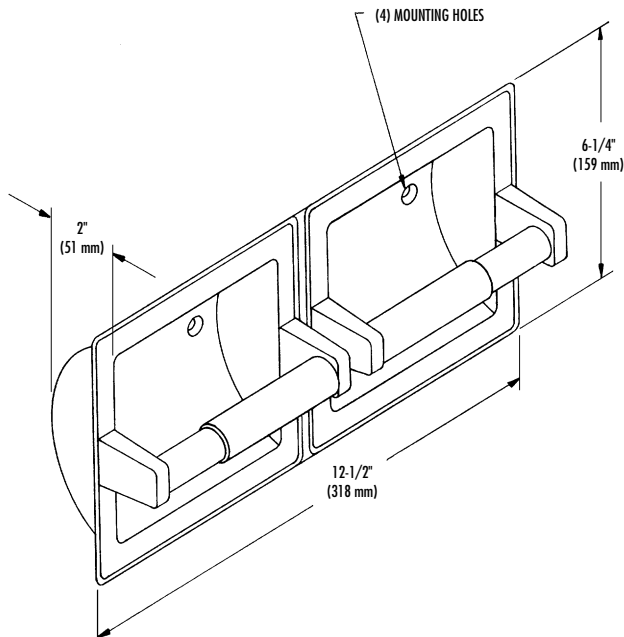


**MODEL 5124
5125**

DUAL ROLL TOILET TISSUE DISPENSER

- Recessed
- Non-Controlled Delivery
- Stainless Steel Housing
- Model 5124 – Satin Stainless Steel
- Model 5125 – Bright Polish



CONSTRUCTION:

- **HOUSING** fabricated of heavy gauge stainless steel.
- **PROJECTING PARTS** are chrome plated die cast zinc alloy.
- **SPINDLE** fabricated of chrome-plated plastic.

CAPACITY:

Two standard core tissue rolls through 5" in diameter.

OPERATION:

Concealed spring permits spindles to telescope for servicing. Spindle turns freely for non-controlled delivery.

INSTALLATION:

Requires rough wall opening 11-3/4"W x 5-1/4"H x 2"D. Secure to framing with mounting screws (included) at holes provided.

OPTIONAL FEATURES:

Feature	Suffix
<input type="checkbox"/> Anti-theft spindle	-52
<input type="checkbox"/> Back clamp for gypsum wallboard mounting	-55

GUIDE SPECIFICATION:

Recessed dual roll toilet tissue dispenser shall be heavy gauge stainless steel.

Overall dimensions: 12-1/2"W x 6-1/4"H x 3"D.

Recessed Dual Roll Toilet Tissue Dispenser shall be Bradley Model 5124 (5125).

Document No. 8485

This information is subject to change without formal notice.
© 2005 Bradley Corporation
7-14-2005

Bradley 

P.O. Box 309, Menomonee Falls, WI 53052-0309
Phone 1-800-BRADLEY FAX 262-253-4161
Web Site: <http://www.bradleycorp.com>