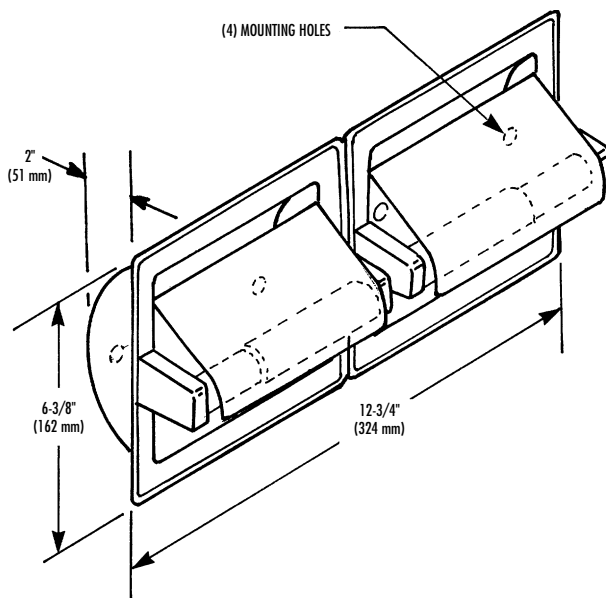
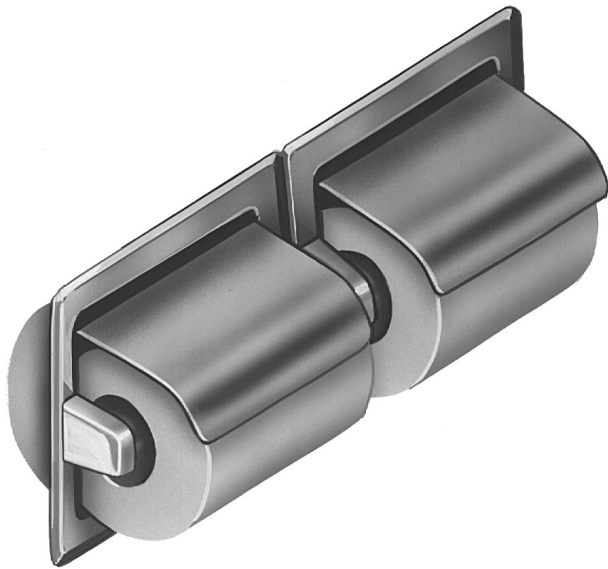


TOILET TISSUE DISPENSER

- Recessed
- Hinged Hood
- Non-Controlled Delivery
- Dual Roll (For Single Roll See Model 5103)



CONSTRUCTION:

- **HOUSING AND HOOD** fabricated of type 304 (18-8) bright polished stainless steel.
- **SPINDLES** fabricated of chrome-plated plastic.

CAPACITY:

Two standard core toilet tissue roll through 5-1/2" in diameter.

OPERATION:

Concealed spring permits spindle to telescope for servicing. Spindle turns freely for non-controlled delivery. Hinged hood prevents unintentional unraveling while keeping top tissue surface clean.

INSTALLATION:

Requires rough wall opening 11-3/4"W x 5-1/4"H x 2"D. Secure to framing with appropriate anchoring devices at holes provided.

OPTIONAL FEATURES:

Feature	Suffix
<input type="checkbox"/> Anti-theft spindle	-52
<input type="checkbox"/> Back clamp for gypsum wallboard mounting	-55

GUIDE SPECIFICATION:

Recessed dual roll toilet tissue dispenser with hinged hood shall be heavy gauge stainless steel and hold two standard core toilet tissue rolls.

Overall dimensions: 12-3/4"W x 6-3/8"H x 2"D.

Recessed Single Roll Toilet Tissue Dispenser shall be Bradley Model 5123.

Document No. 8480

This information is subject to change without formal notice.
© 2005 Bradley Corporation
7-14-2005

Bradley 

P.O. Box 309, Menomonee Falls, WI 53052-0309
Phone 1-800-BRADLEY FAX 262-253-4161
Web Site: <http://www.bradleycorp.com>