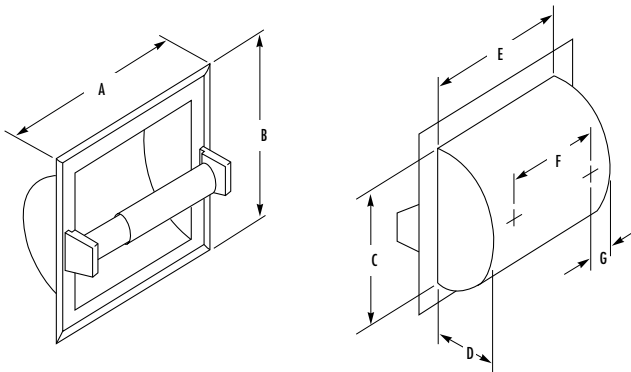


MODEL 510
5102
5104

TOILET TISSUE DISPENSER

- Recessed
- Non-Controlled Delivery
- Single Roll
- Model 510 – Chrome Plated Brass
- Model 5102 – Heavy Gauge Stainless Steel, Bright Finish
- Model 5104 – Heavy Gauge Stainless Steel, Satin finish



CONSTRUCTION:

- **HOUSING** see check boxes and model descriptions above.
- **BRACKETS** see check boxes and model descriptions above.
- **SPINDLE** of chrome plated plastic.

CAPACITY:

One standard core toilet tissue roll through 5" in diameter.

OPERATION:

Concealed spring permits spindle to telescope for servicing. Spindle turns freely for non-controlled delivery.

INSTALLATION:

Requires rough wall opening per chart below. Secure to framing with mounting screws (included) at holes provided.

Model No.	Rough-In Dimensions		Unit Dimensions - inches (mm)						
	HEIGHT	WIDTH	A	B	C	D	E	F	G
510	5-1/4"	5-1/4"	6-3/16" (157)	6-3/16" (157)	5" (127)	1-3/4" (44)	5" (127)	2-7/8" (73)	1" (25)
5102	5-1/4"	5-1/4"	6-3/8" (162)	6-3/8" (162)	5" (127)	2" (51)	5" (127)	3-3/4" (95)	5/8" (16)
5104	5-1/4"	5-1/4"	6-3/8" (162)	6-3/8" (162)	5" (127)	2" (51)	5" (127)	3-3/4" (95)	5/8" (16)

OPTIONAL FEATURES:

Feature	Suffix
<input type="checkbox"/> Anti-Theft Spindle*	-52
<input type="checkbox"/> Back clamp for gypsum wallboard mounting	-55
<input type="checkbox"/> Mortar lugs*	-57

* Available on Model 5102 only.

GUIDE SPECIFICATION:

Recessed single roll tissue dispenser shall be chrome plated brass with projecting brackets of chrome plated die cast zinc alloy and hold one standard core toilet tissue roll.

Recessed Single Roll Toilet Tissue Dispenser shall be Bradley Model (510, 5102, 5104).

Document No. 8465

This information is subject to change without formal notice.
© 2007 Bradley Corporation
12-7-2007



P.O. Box 309, Menomonee Falls, WI 53052-0309
Phone 1-800-BRADLEY FAX 262-253-4161
Web Site: <http://www.bradleycorp.com>