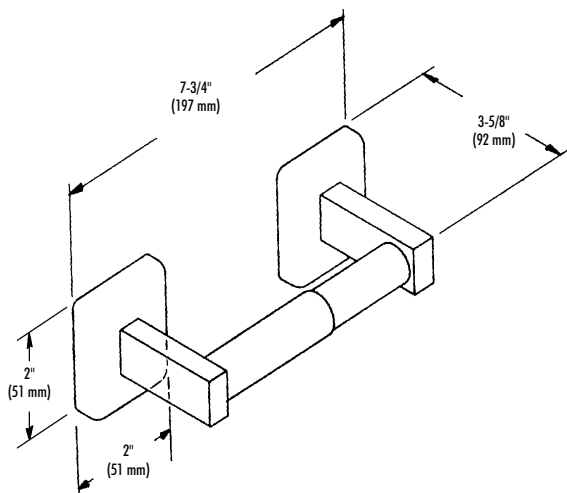
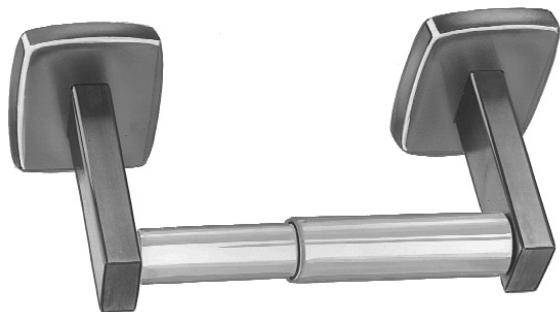


TOILET TISSUE DISPENSER

- Non-Controlled Delivery
- Model 5084 – Satin Stainless Steel **Bradex™**
- Model 5085 – Bright Polish **Bradex™**



**MODEL 5084
5085**

CONSTRUCTION:

- **POSTS** fabricated of type 304 (18-8), 22 gauge stainless steel with exposed surfaces in architectural satin finish.
- **ESCUTCHEONS** fabricated of type 304 (18-8), heavy gauge stainless steel with exposed surfaces in architectural satin finish.
- **SPINDLE** is chrome-plated plastic.
- **MOUNTING BRACKET** fabricated of type 304 (18-8), 18 gauge stainless steel.

CAPACITY:

One standard core toilet tissue roll through 5" in diameter.

OPERATION:

Concealed spring permits spindle to telescope for servicing. Spindle turns freely for non-controlled delivery.

INSTALLATION:

Secure concealed wall mounting brackets to wall with screws (included) at holes provided. Mount projecting arms and escutcheons to bracket and secure with concealed locking screw. Snap escutcheons into place.

OPTIONAL FEATURES:

Feature	Suffix
<input type="checkbox"/> Anti-theft spindle	-52

GUIDE SPECIFICATION:

Surface mounted single roll toilet tissue dispenser shall be heavy gauge stainless steel satin finish (bright polish finish) and hold one standard core toilet tissue roll.

Overall dimensions: 7-3/4" W x 2" H x 3-5/8" D.

Surface Mounted Single Roll Toilet Tissue Dispenser shall be Bradley Model 5084 (5085).

Orders composed of products indicated as **Bradex™** will be available to ship in one week after receipt of order at the factory. There is no pricing penalty for this service from Bradley.

Document No. 8460

This information is subject to change without formal notice.
1299RSSCJ

Bradley

P.O. Box 309, Menomonee Falls, WI 53052-0309
Phone 1-800-BRADLEY FAX 262-253-4161
Web Site: <http://www.bradleycorp.com>
Technical Information Fax Service: 1-800-BRADFAX