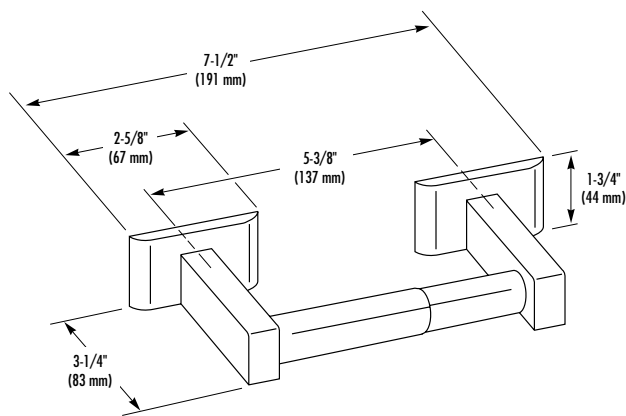
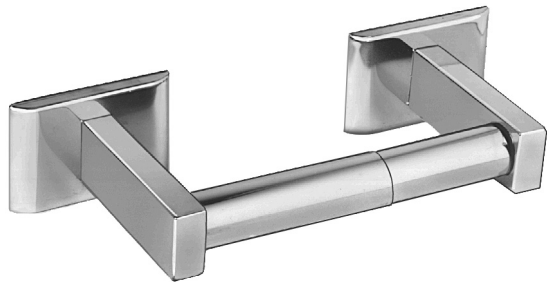


TOILET TISSUE DISPENSER

- Non-Controlled Delivery
- Single Roll



CONSTRUCTION:

- **UNIT** fabricated of chrome plated cast brass.
- **SPINDLE** fabricated of chrome plated plastic.

CAPACITY:

One standard core toilet tissue roll through 5-1/2" in diameter.

OPERATION:

Concealed spring permits spindle to telescope for servicing. Spindle turns freely for non-controlled delivery.

INSTALLATION:

Secure concealed wall mounting brackets to wall with screws (included) at holes provided. Slide escutcheons and posts over projecting pins on mounting brackets and secure with concealed set screw.

OPTIONAL FEATURES:

Feature	Suffix
<input type="checkbox"/> Anti-theft spindle	-52

GUIDE SPECIFICATION:

Surface mounted single roll toilet tissue dispenser shall be chrome plated cast brass and hold one standard core toilet tissue roll.

Overall dimensions: 7-1/2"W x 2-5/8"H x 3-1/4"D.

Surface Mounted Single Roll Toilet Tissue Dispenser shall be Bradley Model 508.

Document No. 8450

This information is subject to change without formal notice.
© 2005 Bradley Corporation
2-11-2005



P.O. Box 309, Menomonee Falls, WI 53052-0309
Phone 1-800-BRADLEY FAX 262-253-4161
Web Site: <http://www.bradleycorp.com>