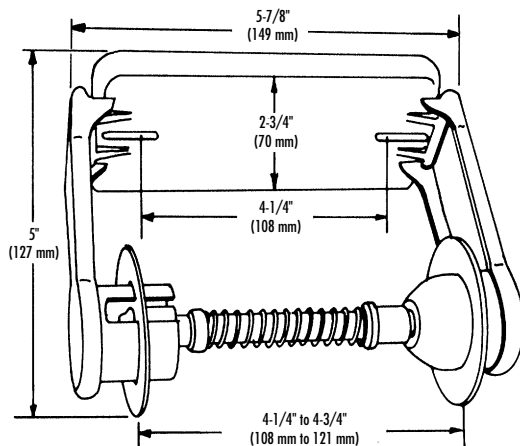
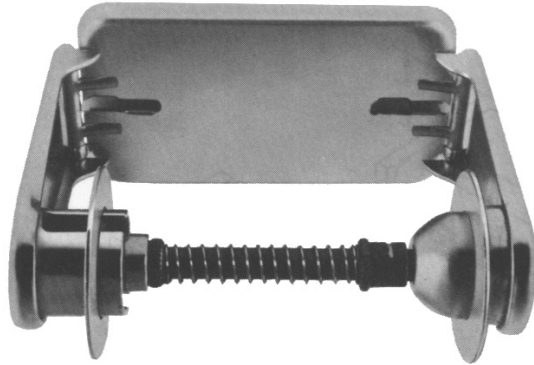


## TOILET TISSUE DISPENSER

- Controlled Delivery
- Single Roll



### CONSTRUCTION:

- **BACKPLATE AND ARMS** fabricated of bright polished stainless steel.
- **SPINDLE AND LOCK MECHANISM** of bright polished stainless steel.

### CAPACITY:

Holds one standard core toilet tissue roll through 6" in diameter.

### OPERATION:

Remove tissue roll core to access special locking mechanism for servicing. Adjustable tension spring controls paper delivery.

### INSTALLATION:

Secure to wall with mounting screws (included) at holes provided.

### GUIDE SPECIFICATION:

Surface mounted toilet tissue dispenser shall be bright polished stainless steel and hold one standard core toilet tissue roll. Tension spring controls paper delivery. Unit adjustable for 4-1/4" to 4-3/4" wide tissue rolls.

Overall dimensions: 5-7/8" W x 2-3/4" H x 5" D.

**Surface Mounted Toilet Tissue Dispenser shall be Bradley Model 5061.**

Document No. 8445

This information is subject to change without formal notice.  
© 2005 Bradley Corporation  
2-15-2005

**Bradley** 

P.O. Box 309, Menomonee Falls, WI 53052-0309  
Phone 1-800-BRADLEY FAX 262-253-4161  
Web Site: <http://www.bradleycorp.com>