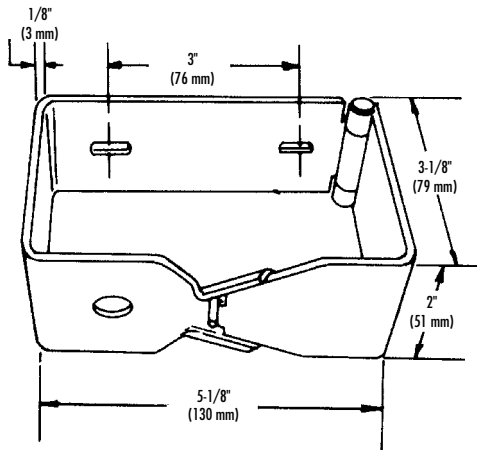
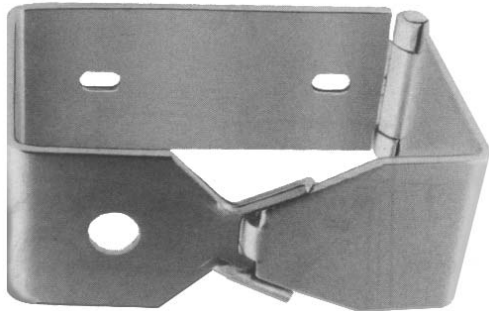


TOILET TISSUE DISPENSER

- Controlled Delivery
- Single Roll



MODEL 5053

CONSTRUCTION:

- UNIT fabricated of 1/8" thick epoxy-coated aluminum. One piece construction with hinged arm and snap lock, which is concealed by tissue roll. No removable parts.

CAPACITY:

One standard core toilet tissue roll through 4-1/2" in diameter.

OPERATION:

Remove tissue roll core to access snap lock for servicing.

INSTALLATION:

Secure to wall with mounting screws (not included) at holes provided.

GUIDE SPECIFICATION:

Surface mounted toilet tissue dispenser shall be 1/8" thick anodized aluminum and hold one standard core toilet tissue roll.

Overall dimensions: 5-1/8"W x 2"H x 3-1/8"D.

Surface Mounted Toilet Tissue Dispenser shall be Bradley Model 5053.

Document No. 8430

This information is subject to change without formal notice.
© 2007 Bradley Corporation
4-4-2007

Bradley 

P.O. Box 309, Menomonee Falls, WI 53052-0309
Phone 1-800-BRADLEY FAX 262-253-4161
Web Site: <http://www.bradleycorp.com>