
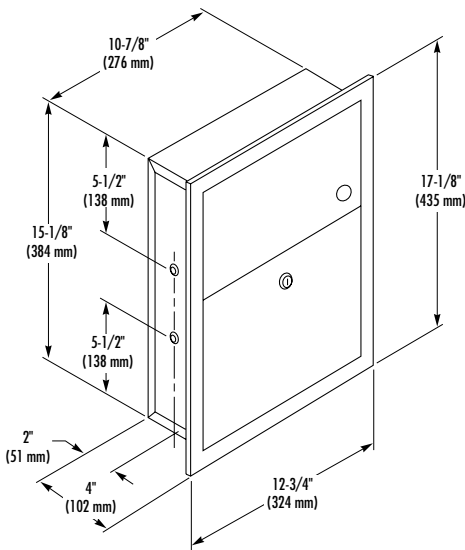


NAPKIN DISPOSAL

□ Model 4731-15 – Recessed **Bradex™**

 When installed as specified below, unit meets Barrier-Free requirements



CONSTRUCTION:

- **FLANGE** fabricated of type 304 (18-8), 22 gauge stainless steel with exposed surfaces in architectural satin finish. One piece seamless construction, 1" wide with 1/4" return.
- **CABINET** fabricated of type 304 (18-8), heavy gauge stainless steel. All welded construction.
- **PUSH FLAP DOOR** fabricated of type 304 (18-8), 22 gauge stainless steel with exposed surfaces in architectural satin finish. Heavy duty stainless steel piano hinge. Self-closing flap door.
- **WASTE CONTAINER** fabricated of type 304 (18-8), 22 gauge stainless steel with tumbler lock keyed like other Bradley units.

CAPACITY:

1.5 gal. (.2 cu. ft.)

OPERATION:

Waste container removable with finger grip. Furnished with waxed paper liner. Additional liners available from Bradley.

INSTALLATION:

Requires rough wall opening 11-3/8"W x 15-3/8"H x 4"D. Top of wall opening 2'-9" above finished floor. Secure to framing with mounting screws (included) at holes provided. Shim at screw points as required.

GUIDE SPECIFICATION:

Recessed napkin disposal shall be fabricated of type 304 (18-8), stainless steel with exposed surfaces in satin finish. Self-closing push flap door secured by piano hinge. Removable stainless steel receptacle with tumbler lock.

Overall dimensions: 12-3/4"W x 17-1/8"H x 4"D.

Recessed Napkin Disposal shall be Bradley Model 4731-15.

Orders composed of products indicated as **Bradex™** will be available to ship in one week after receipt of order at the factory. There is no pricing penalty for this service from Bradley.

Document No. 8400

This information is subject to change without formal notice.
© 2005 Bradley Corporation
9-12-2005

Bradley 

P.O. Box 309, Menomonee Falls, WI 53052-0309
Phone 1-800-BRADLEY FAX 262-253-4161
Web Site: <http://www.bradleycorp.com>