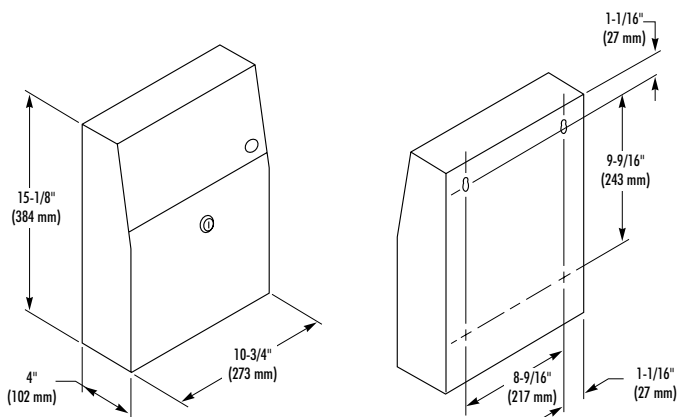
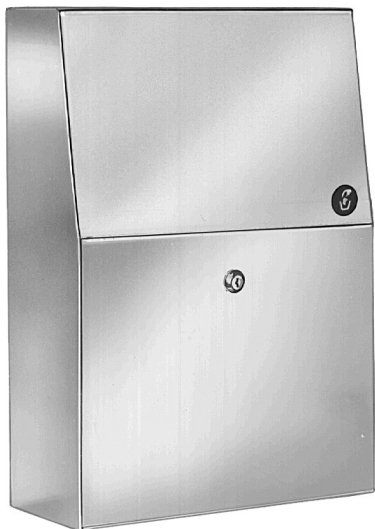


NAPKIN DISPOSAL

- Model 4722-15 – Surface Mounted
- Single End Compartment

Bradex™



CONSTRUCTION:

- **CABINET** fabricated of type 304 (18-8), 22 gauge stainless steel with exposed surfaces in architectural satin finish. All welded construction.
- **PUSH FLAP DOOR** fabricated of type 304 (18-8), 22 gauge stainless steel with exposed surfaces in architectural satin finish. Heavy duty stainless steel piano hinge. Self-closing flap door.
- **WASTE CONTAINER** fabricated of type 304 (18-8), 22 gauge stainless steel with tumbler lock keyed like other Bradley units.

CAPACITY:

1.5 gal. (.2 cu. ft.)

OPERATION:

Waste container removable with finger grip. Furnished with waxed paper liner. Additional liners available from Bradley.

INSTALLATION:

Locate top of unit 2'-9" above finished floor. Secure unit to wall with mounting screws (included) at holes provided.

GUIDE SPECIFICATION:

Surface mounted napkin disposal shall serve one toilet compartment and be fabricated of type 304 (18-8), 22 gauge stainless steel with exposed surfaces in satin finish. Self-closing push flap door and stainless steel removable receptacle with tumbler lock.

Overall dimensions: 10-3/4"W x 15-1/8"H x 4"D.

Surface Mounted Napkin Disposal shall be Bradley Model 4722-15.

Orders composed of products indicated as **Bradex™** will be available to ship in one week after receipt of order at the factory. There is no pricing penalty for this service from Bradley.

Document No. 8395

This information is subject to change without formal notice.
1299RSSCJ

Bradley

P.O. Box 309, Menomonee Falls, WI 53052-0309
Phone 1-800-BRADLEY FAX 262-253-4161
Web Site: <http://www.bradleycorp.com>
Technical Information Fax Service: 1-800-BRADFAX