

- Model 404 — Recessed**
- Model 404-11 — Surface-Mounted**  
(projects 6-1/2")

### Must Specify Operation:

- Free — 40**
- 10¢ — 42**
- 25¢ — 45**
- 50¢ — 43**
- \$1.00 — 44**

- Standard Series — Satin Finish**
- Slip-Type Flange**

### Product Materials

**FLANGE:** 22 gauge stainless steel with exposed surfaces in architectural satin finish. One-piece seamless construction, 1" wide with 1/4" return. Slip-type flange permits partial or full recess installation.

**CABINET:** 22 gauge stainless steel with exposed surfaces in architectural satin finish. Welded construction with burr-free edges.

**DOOR** fabricated of 18 gauge stainless steel with exposed surfaces in architectural satin finish, with full-length piano hinge and two tumbler forks keyed like other Bradley units.

**COIN BOX** inside cabinet fabricated of 22 gauge stainless steel, secured by a separate lock keyed differently than door forks. Coin mechanism may be replaced in the field without removing cabinet from wall.

### Capacity

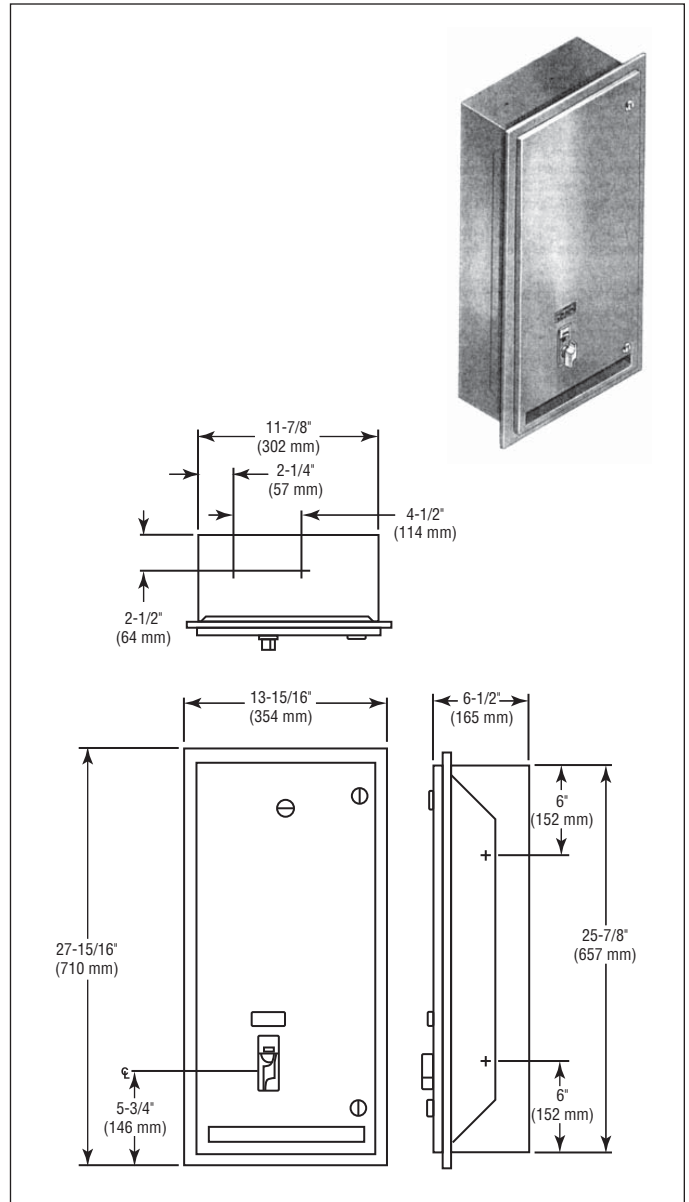
120 condoms. Accommodates two different sizes of package 1-1/2" x 2-1/8" x 1/4" or 2-1/4" x 2-1/4" x 1/4".

### Operation

Insertion of coins permits clockwise rotation of handle to dispense product. Will not accept coin when vendor is empty. Access door allows servicing of unit.

### Installation

Verify all rough-in dimensions prior to installation. Requires rough wall opening 12-1/2"W x 26-3/8"H x 6"D (fully recessed). Secure flange to rough wall opening using screws (not included). Insert cabinet through flange into wall opening. Secure cabinet to framing with screws (not included) at holes provided. Shim at screw points as required.



### Guide Specification

Recessed, semi-recessed or surface-mounted condom vendor shall be fabricated of 22 gauge stainless steel with exposed surfaces in satin finish. Door shall be fabricated of 18 gauge stainless steel with full-length piano hinge and two tumbler locks keyed like Bradley units. Coin mechanism shall permit dispensing 120 condoms.

**Washroom Accessories**  
**Document No. 8358**

This information is subject to change without formal notice. Always consult local and national codes for proper installation guidelines. Conformity and compliance to local and national codes is the responsibility of the installer.

9-30-2008

© 2008 Bradley Corporation  
P.O. Box 309, Menomonee Falls, WI 53052-0309  
Phone: 800.BRADLEY (800.272.3539) Fax: 262.253.4161  
bradleycorp.com