

Standard Model 2899-28 — Surface-Mounted — White

- ADA Compliant (4" Projection)
- Sensor Activation
- Universal Voltage
- Not recommended for high traffic, high vandal-prone applications

Product Materials

COVER & FINISH: porcelain enameled steel or stainless steel.

MOTOR: 7500 RPM dual-shaft brush type.

HEATING ELEMENT: industrial strength coil wound on mica support protected by temperature limit control.

ELECTRONIC CONTROL: active infrared sensor.

CIRCUITRY: infrared red microprocessor control allows for multi-voltage application.

Volts	Amps	Watts	Frequency
115	20	2300	50 or 60 Hz
208	11	2300	50 or 60 Hz
240	10	2300	50 or 60 Hz

Operation

Place hands 3"–6" below nozzle to activate dryer.

Installation

Verify all rough-in dimensions prior to installation. Refer to mounting hole locations shown. Mark the location of the four mounting bolt holes. When two or more dryers are installed, they should be placed no closer than 24" (60 cm) from center to center. Use the security hex driver to loosen the cover screws. Remove the cover from the dryer. Attach the mechanism firmly to the wall using appropriate fasteners. Run the supply wiring to the dryer and connect it to the terminal block. The ground wire must be connected to the base plate. Replace the cover. Do not overtighten the screws. There may be a delay when power is first applied.

Guide Specification

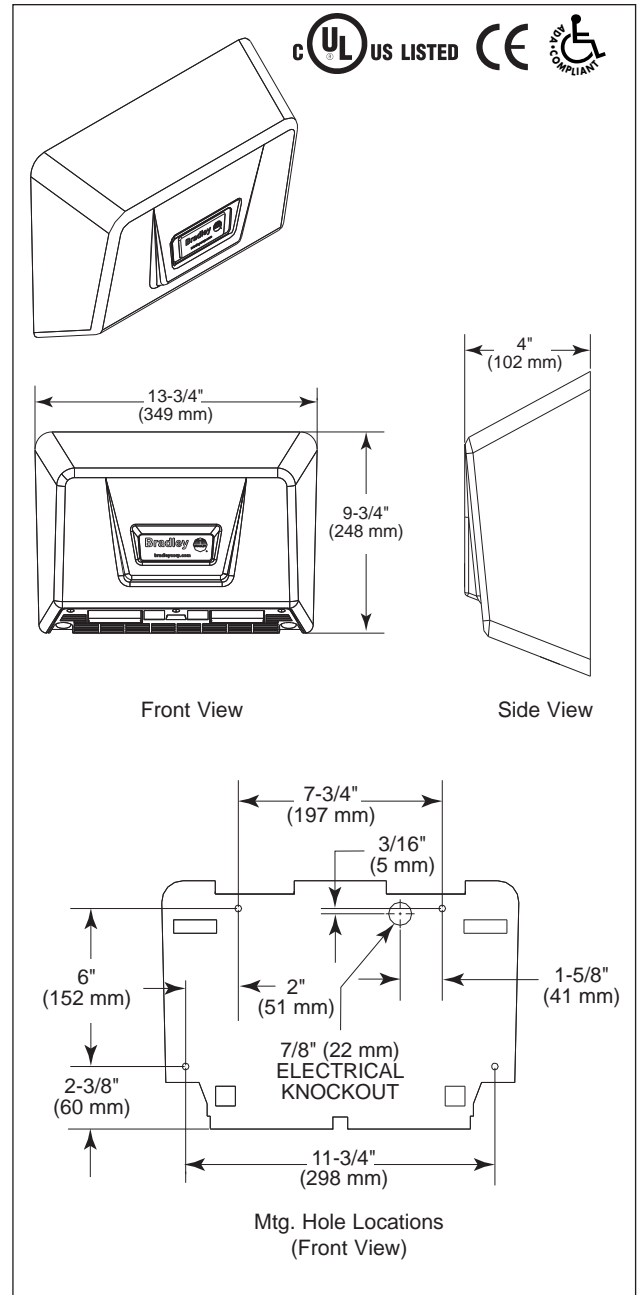
Surface-mounted hand dryer shall protrude 4" (102mm), fabricated from porcelain enameled steel or stainless steel. Universal voltage capability. Dryer shall be activated by means of an infrared emitting/receiving electronic control device, automatically detecting hands when present. This warm-air hand dryer has two air outlets which direct the air down and out toward the hands that are placed below the unit. Powerful, dual jets of hot air dry hands in under 25 seconds at 220 CFM and 74 dB.

Overall dimensions: 9"W x 9-3/4"H x 4"D (Including nozzle tip).

ADA Compliant

- Consult local and national accessibility codes for proper installation guidelines.
- Conformity and compliance to local and national codes is the responsibility of the installer.

**Washroom Accessories
Document No. 8265**



Optional Features

Feature	Suffix
<input type="checkbox"/> Brushed Stainless Steel Cover (not available for Export (CE certified))	-74
<input type="checkbox"/> 2899-2800CE for Export (CE certified)	-CE