

Standard Model 2898-28 — Surface-Mounted — White

- ADA Compliant (4" Projection)
- Sensor Activation
- Universal Voltage
- Not recommended for high traffic, high vandal-prone applications

Product Materials

COVER: powder-coated aluminum alloy.

MOTOR: 7500 RPM brush type.

HEATING ELEMENT: industrial strength coil wound on mica support protected by temperature limit control.

ELECTRONIC CONTROL: active infrared sensor.

CIRCUITRY: infrared red microprocessor control allows for multi-voltage application.

Volts	Amps	Watts	Frequency
115	10	1150	50 or 60 Hz
208	6	1150	50 or 60 Hz
240	5	1150	50 or 60 Hz

Operation

Place hands 3"–6" below nozzle to activate dryer.

Installation

Verify all rough-in dimensions prior to installation. Refer to mounting hole locations shown on the left. Mark the location of the four mounting bolt holes. When two or more dryers are installed, they should be placed no closer than 24" (60 cm) from center to center. Use the security hex driver to loosen the cover screws. Remove the cover from the dryer. Attach the mechanism firmly to the wall using appropriate fasteners. Run the supply wiring to the dryer and connect it to the terminal block. The ground wire must be connected to the base plate. Replace the cover. Do not overtighten the screws. There may be a delay when power is first applied.

Guide Specification

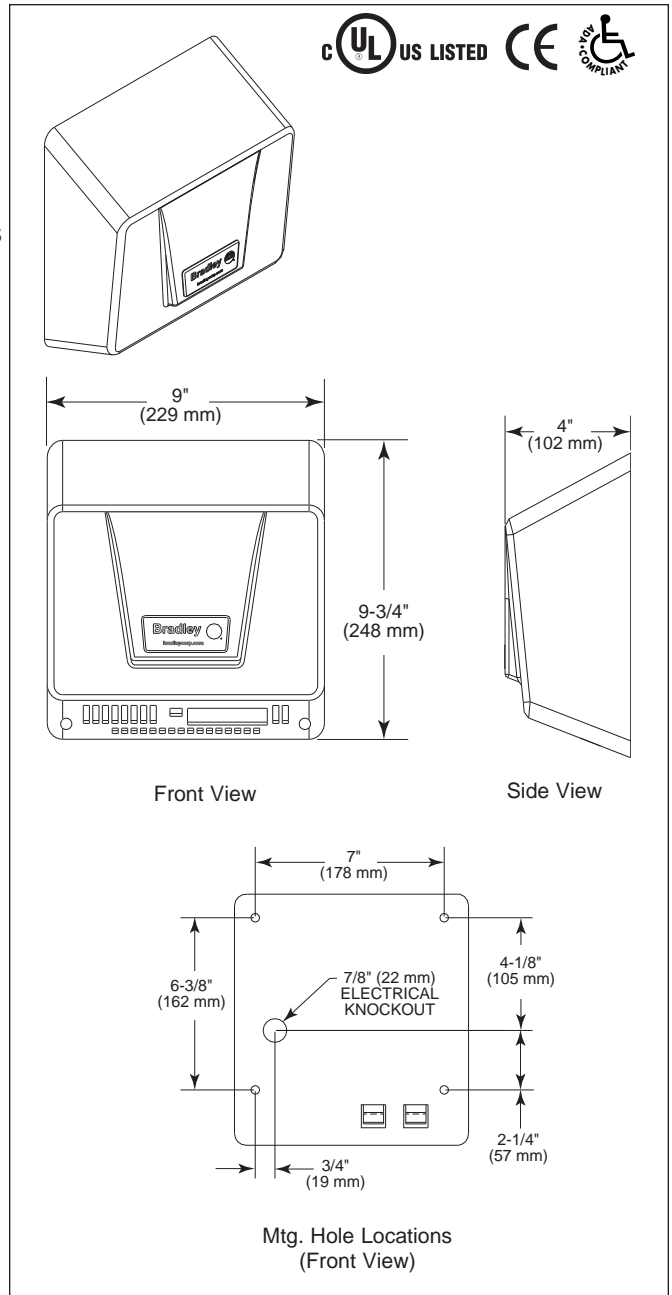
Surface-mounted hand dryer shall protrude 4" (102mm), fabricated from powder coated cast aluminum. Contain Universal voltage capability. Dryer shall be activated by means of an infrared emitting/receiving electronic control device, automatically detecting hands when present. Dryer operates at 76 dB while delivering 134 CFM during user-controlled drying cycle.

Overall dimensions: 9"W x 9-3/4"H x 4"D (Including nozzle tip).

Optional Features

Feature	Suffix
<input type="checkbox"/> 2898-2800CE for Export (CE certified)	-CE

**Washroom Accessories
Document No. 8264**



ADA Compliant

- Consult local and national accessibility codes for proper installation guidelines.
- Conformity and compliance to local and national codes is the responsibility of the installer.