

Standard Model 2895-280000 – 115 Volt, 13 amp, 60 Hz-White

- Surface-Mounted
- Sensor Activation

Product Materials

COVER: cast aluminum with white powder coated baked enamel finish, integral nozzle design.

MOTOR: induction-type (brushless), 1/8 HP, 3360 rpm, with thermal protection.

HEATING ELEMENT: 1500 Watt, NiCr wire coil element with fiberglass core and auto reset thermostat.

ELECTRONIC CONTROL: active infrared sensor with vandal circuit shut-off function.

BLOWER: operates at 7500 RPM delivering 154 CFM at 140 deg. F. and average velocity of 7300 LFM.

Operation

Place hands 3"–6" below nozzle to activate dryer.

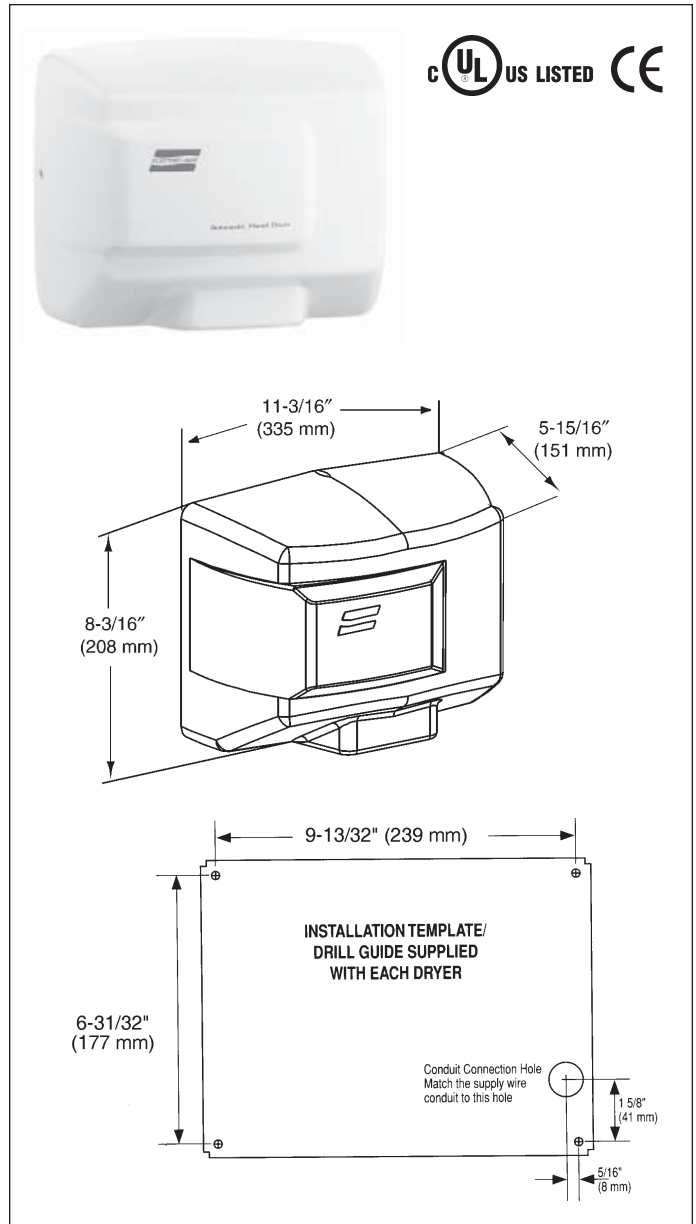
Installation

Verify all rough-in dimensions prior to installation. Secure base plate to wall with four screws suitable for wall conditions. Match supply conduit wire to knockout on wall plate (see diagram for location). Connect electrical service to dryer per supplied wiring diagram. Attach cover before energizing dryer at breaker panel. Dryer requires a dedicated circuit and must be properly grounded. One side of dryer should be mounted to wall stud.

Guide Specification

Surface-mounted hand dryer shall be fabricated from high impact cast aluminum with integral nozzle and infrared electronic control. Motor shall be a induction type operating at 2850 RPM at rated load. Dryer operates at 70 dB and 3900 LFM during user-controlled drying cycle. Dryer shall be activated by means of an infrared emitting/receiving electronic control device, automatically detecting hands when present.

Overall dimensions: 11-3/16"W x 8-13/16"H x 5-15/16"D.



Optional Features

Feature	Suffix
<input type="checkbox"/> 230 Volt, 10 amp, 50 Hz	-49
<input type="checkbox"/> 208/230 Volt, 10 amp, 60 Hz	-53

- For Export (CE certified), specify (-49).

**Washroom Accessories
Document No. 8261**

This information is subject to change without formal notice.

Always consult local and national codes for proper installation guidelines. Conformity and compliance to local and national codes is the responsibility of the installer.

2-13-2009

© 2009 Bradley Corporation
P.O. Box 309, Menomonee Falls, WI 53052-0309
Phone: 800.BRADLEY (800.272.3539) Fax: 262.253.4161
bradleycorp.com