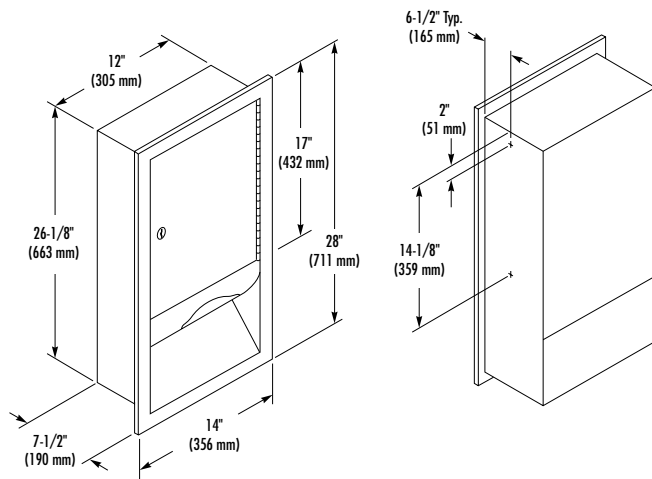


# TOWEL DISPENSER

- C-Fold/Multi-Fold Towels
- Model 247 – Recessed
- Model 247-10 – Semi-recessed  
(recesses 3-1/2"; projects 4")
- Model 247-11 – Surface-Mounted  
(projects 7-1/2")



**Document No. 8180**

This information is subject to change without formal notice.  
© 2007 Bradley Corporation  
3-28-2007

## CONSTRUCTION:

- **FLANGE** fabricated of type 304 (18-8), 22 gauge stainless steel with exposed surfaces in architectural satin finish. One-piece seamless construction, 1" wide with 1/4" return.
- **CABINET** fabricated of type 304 (18-8), heavy gauge stainless steel. All welded construction.
- **DOOR** fabricated of type 304 (18-8), 18 gauge stainless steel. Warp resistant, with full length piano hinge and tumbler lock keyed like other Bradley units.
- **TOWEL DISPENSER** fabricated of type 304 (18-8), 22 gauge stainless steel. Rolled edge on dispenser opening.

## CAPACITY:

1000 single-fold, 800 multi-fold or 500 C-fold paper towels.

## OPERATION:

Towel dispenser holds single-fold, multi-fold or C-fold towels with use of special adaptor.

## INSTALLATION:

Recessed unit requires rough wall opening 12-1/2"W x 26-5/8"H x 7-1/2"D (Semi-recessed unit only 3-1/2" deep). Top of wall opening 6'-5" above finished floor. Secure to framing with mounting screws (included) at holes provided. Shim at screw points as required.

## GUIDE SPECIFICATION:

Recessed towel dispenser shall be fabricated of type 304 (18-8), stainless steel with exposed surfaces in satin finish. Door with full length piano hinge and secured by tumbler lock. Towel dispenser capacity 1000 single-fold, 800 multi-fold or 500 C-fold towels.

Overall dimensions: 14"W x 28"H x 7-1/2"D.

**Recessed Towel Dispenser shall be Bradley Model 247.**



P.O. Box 309, Menomonee Falls, WI 53052-0309  
Phone 1-800-BRADLEY FAX 262-253-4161  
Web Site: <http://www.bradleycorp.com>