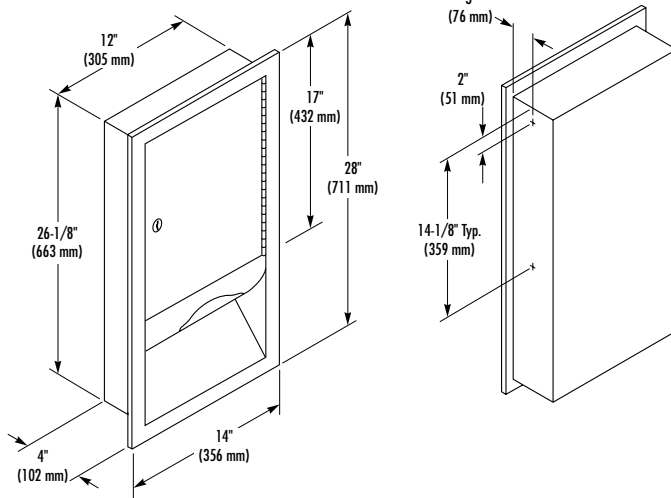




This unit meets "Barrier Free" requirements when mounted in accordance with local ordinances.

TOWEL DISPENSER

- C-Fold/Multi-Fold Towels
- Model 244 – Recessed
- Model 244-10 – Semi-recessed (recesses 2"; projects 2")
- Model 244-11 – Surface-Mounted (projects 4")



Document No. 8155

This information is subject to change without formal notice.
© 2007 Bradley Corporation
3-28-2007

CONSTRUCTION:

- **FLANGE** fabricated of type 304 (18-8), 22 gauge stainless steel with exposed surfaces in architectural satin finish. One-piece seamless construction, 1" wide with 1/4" return.
- **CABINET** fabricated of type 304 (18-8), heavy gauge stainless steel. All welded construction.
- **DOOR** fabricated of type 304 (18-8), 18 gauge stainless steel. Warp resistant, with full length piano hinge and tumbler lock keyed like other Bradley units.
- **TOWEL DISPENSER** fabricated of type 304 (18-8), 22 gauge stainless steel. Rolled edge on dispenser opening.

CAPACITY:

800 multi-fold or 600 C-fold paper towels.

OPERATION:

Towel dispenser holds multi-fold or C-fold towels without use of special adaptor.

INSTALLATION:

Recessed unit requires rough wall opening 12-1/2"W x 26-5/8"H x 4"D (Semi-recessed unit only 2" deep). Top of wall opening 6'-5" above finished floor. Secure to framing with mounting screws (included) at holes provided. Shim at screw points as required.

GUIDE SPECIFICATION:

Recessed towel dispenser shall be fabricated of type 304 (18-8), stainless steel with exposed surfaces in satin finish. Door with full length piano hinge and secured by tumbler lock. Towel dispenser capacity 800 multi-fold or 600 C-fold towels.

Overall dimensions: 14"W x 28"H x 4"D.

Recessed Towel Dispenser shall be Bradley Model 244.

Bradley

P.O. Box 309, Menomonee Falls, WI 53052-0309
Phone 1-800-BRADLEY FAX 262-253-4161
Web Site: <http://www.bradleycorp.com>