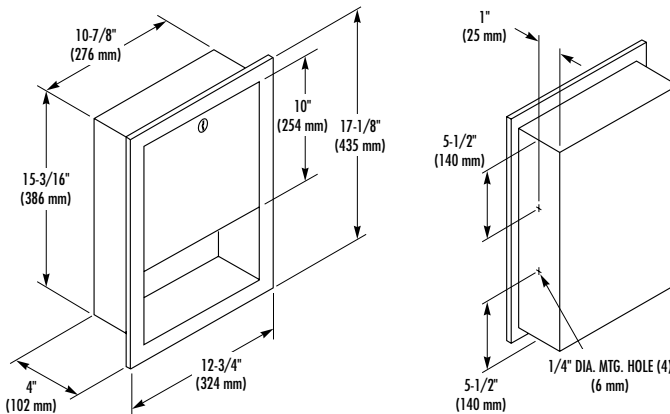
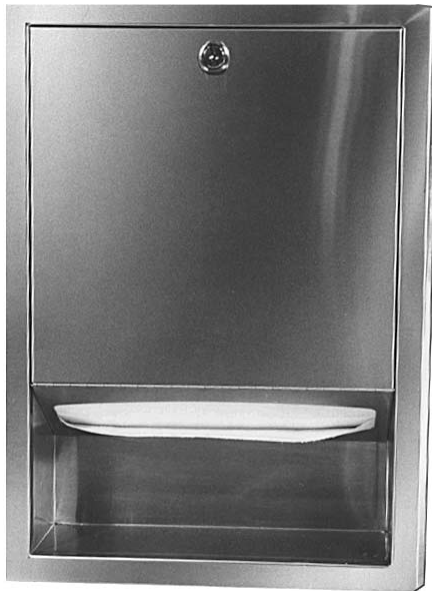


# TOWEL DISPENSER

- C-Fold/Multi-Fold Towels
- Model 2441 – Recessed **Bradex**<sup>®</sup>
- Model 2441-10 – Semi-recessed (recesses 2"; projects 2")
- Model 2441-11 – Surface-Mounted (projects 4")



## CONSTRUCTION:

- **FLANGE** fabricated of type 304 (18-8), 22 gauge stainless steel with exposed surfaces in architectural satin finish. One-piece seamless construction, 1" wide with 1/4" return.
- **CABINET** fabricated of type 304 (18-8), heavy gauge stainless steel. All welded construction.
- **DOOR** fabricated of type 304 (18-8), 22 gauge stainless steel with full length piano hinge and tumbler lock keyed like other Bradley units.
- **TOWEL DISPENSER** fabricated of type 304 (18-8), 22 gauge stainless steel. Flat edge on dispenser opening.

## CAPACITY:

475 multi-fold or 350 C-fold paper towels.

## OPERATION:

Towel dispenser holds multi-fold or C-fold towels without use of special adaptor.

## INSTALLATION:

Recessed unit requires rough wall opening 11-3/8"W x 15-11/16"H x 4"D (Semi-recessed unit only 2" deep). Top of wall opening 5'-7" above finished floor. Secure to framing with mounting screws (included) at holes provided. Shim at screw points as required.

## GUIDE SPECIFICATION:

Recessed towel dispenser shall be fabricated of heavy gauge type 304 (18-8), stainless steel with exposed surfaces in satin finish. Door with full length piano hinge and secured by tumbler lock. Towel dispenser capacity 475 multi-fold or 350 C-fold towels.

Overall dimensions: 12-3/4"W x 17-1/8"H x 4"D.

**Recessed Towel Dispenser shall be Bradley Model 2441.**

**Document No. 8150**

This information is subject to change without formal notice.  
© 2007 Bradley Corporation  
3-28-2007

Orders composed of products indicated as **Bradex**<sup>®</sup> will be available to ship in one week after receipt of order at the factory. There is no pricing penalty for this service from Bradley.



P.O. Box 309, Menomonee Falls, WI 53052-0309  
Phone 1-800-BRADLEY FAX 262-253-4161  
Web Site: <http://www.bradleycorp.com>