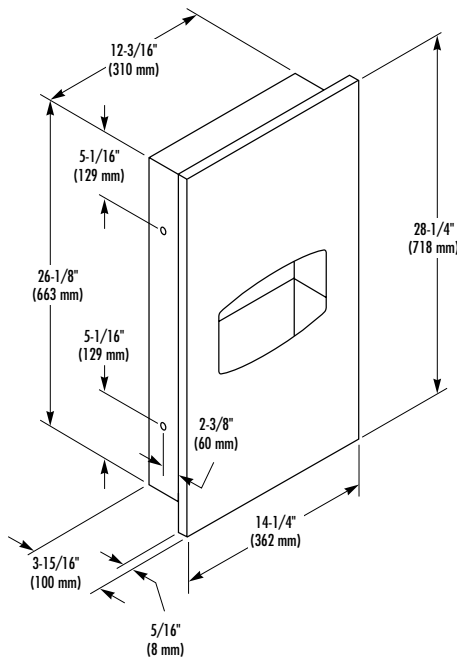


TOWEL DISPENSER/ WASTE RECEPTACLE

- Accent Series – Color Laminate
- Specify color _____
(See color chart in back of catalog)
- Model 2298 – Recessed
- Model 2298-10 – Semi-recessed (recesses 1-5/8"; projects 2-5/16")
- Model 2298-11 – Surface-Mounted (projects 3-15/16")



CONSTRUCTION:

- **CABINET** fabricated of type 304 (18-8), 22 gauge stainless steel with exposed surfaces in architectural satin finish. Welded construction with seamless corners and burr-free edges.
- **DOOR** fabricated of 5/16" thick solid laminate, made of colored Melamine bonded under high pressure to a phenolic core. All exposed edges are machined smooth to a uniform dark finish. Attached to cabinet with full length, heavy duty stainless steel piano hinge. Equipped with two latches. Tumbler locks optional.
- **TOWEL DISPENSER** fabricated of type 304 (18-8), 22 gauge stainless steel. Rolled edge on dispenser opening.
- **WASTE RECEPTACLE INSERT** fabricated of leakproof molded plastic.

CAPACITY:

Towel Dispenser-475 multi-fold or 350 C-fold paper towels; Waste Receptacle Insert-1.7 gal. (.22 cu. ft.)

OPERATION:

Towel dispenser holds multi-fold or C-fold towels without use of special adaptor. Waste receptacle insert removable by opening cabinet door.

INSTALLATION:

Recessed unit requires rough wall opening 12-11/16"W x 26-5/8"H x 4"D (Semi-recessed unit only 1-3/4" deep). Top of wall opening 6'-5" above finished floor. Secure to framing with mounting screws (included) at holes provided. Shim at screw points as required.

OPTIONAL FEATURES

Feature	Suffix
<input type="checkbox"/> Tumbler Lock	-15

GUIDE SPECIFICATION:

Recessed combination towel dispenser and waste receptacle shall be fabricated of type 304 (18-8), heavy gauge stainless steel. Cabinet door of 5/16" thick solid laminate with full length piano hinge and secured by two latches. Towel dispenser capacity 475 multi-fold or 350 C-fold towels. Removable 1.7 gal. leakproof molded plastic insert for waste receptacle.

Overall dimensions: 14-1/4"W x 28-1/4"H x 3-15/16"D.

Recessed Combination Towel Dispenser and Waste Receptacle shall be Bradley Model 2298-_____ (Specify Bradley color number.)

Document No. 8125

This information is subject to change without formal notice.
© 2007 Bradley Corporation
3-27-2007

Bradley

P.O. Box 309, Menomonee Falls, WI 53052-0309
Phone 1-800-BRADLEY FAX 262-253-4161
Web Site: <http://www.bradleycorp.com>