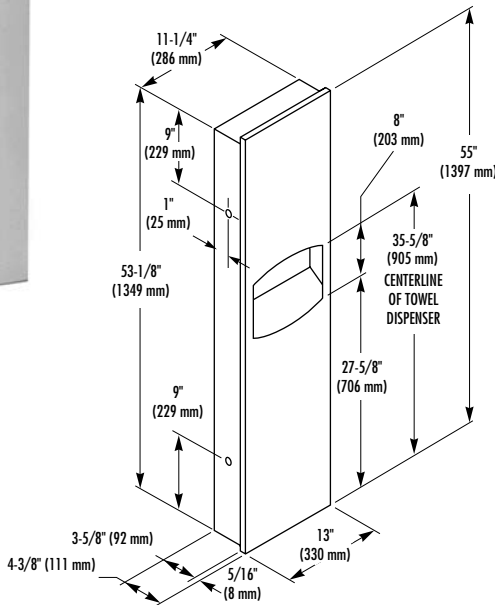


TOWEL DISPENSER/ WASTE RECEPTACLE

- Accent Series – Color Laminate
- Specify color _____
(See color chart in back of catalog)
- Model 2028 – Recessed
- Model 2028-10 – Semi-recessed (recesses 2-1/2"; projects 1-7/8")
- Model 2028-11 – Surface-Mounted (projects 4-3/8")



CONSTRUCTION:

- **CABINET** fabricated of type 304 (18-8) 22 gauge stainless steel with exposed surfaces in architectural satin finish. Welded construction with seamless corners and burr-free edges.
- **DOOR** fabricated of 5/16" thick solid laminate, made of colored Melamine bonded under high pressure to a phenolic core. All exposed edges are machined smooth to a uniform dark finish. Attached to cabinet with full length, heavy duty stainless steel piano hinge. Equipped with two latches.
- **TOWEL DISPENSER** fabricated of type 304 (18-8) 22 gauge stainless steel. Rolled edge on dispenser opening.
- **WASTE RECEPTACLE INSERT** fabricated of leakproof molded plastic.

CAPACITY:

Towel Dispenser-800 multi-fold or 600 C-fold paper towels. Waste Receptacle Insert-3.3 gal. (.44 cu. ft.).

OPERATION:

Towel dispenser holds multi-fold or C-fold towels without use of special adaptor. Waste receptacle insert removable by opening cabinet door.

INSTALLATION:

Recessed unit requires rough wall opening 11-3/4" W x 53-5/8" H x 4-3/8" D (Semi-recessed unit only 2-1/2" deep). Secure to framing with mounting screws (included) at holes provided. Shim at screw points as required.

OPTIONAL FEATURE:

| Feature | Suffix |
|--|--------|
| <input type="checkbox"/> Two (2) tumbler locks | -15 |

GUIDE SPECIFICATION:

Recessed combination towel dispenser and waste receptacle shall be fabricated of heavy gauge type 304 (18-8) stainless steel with exposed surfaces in satin finish. Cabinet door of 5/16" thick solid laminate with full length piano hinge and secured by two latches. Towel dispenser capacity 800 multi-fold or 600 C-fold towels. Removable 3.3 gal. leakproof molded plastic insert for waste receptacle.

Overall dimensions: 13"W x 55"H x 4-3/8"D.

Recessed Combination Towel Dispenser and Waste Receptacle shall be Bradley Model 2028-_____. (Specify Bradley color number.)

Document No. 8060

This information is subject to change without formal notice.
© 2007 Bradley Corporation
2-13-2007

Bradley

P.O. Box 309, Menomonee Falls, WI 53052-0309
Phone 1-800-BRADLEY FAX 262-253-4161
Web Site: <http://www.bradleycorp.com>