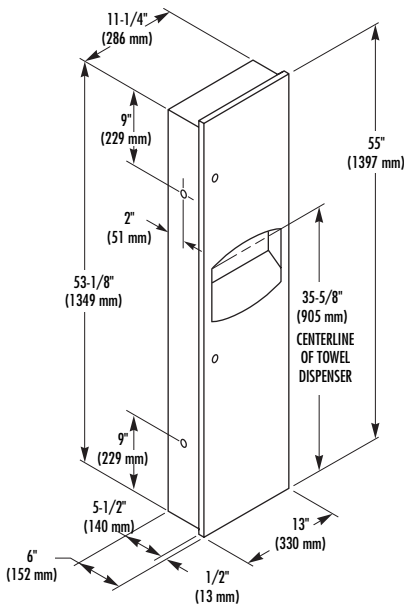


TOWEL DISPENSER/ WASTE RECEPTACLE

- Contemporary Series – Satin Finish
- Model 2017 – Recessed
- Model 2017-10 – Semi-recessed **Bradlex**® (recesses 3-1/2"; projects 2-1/2")
- Model 2017-11 – Surface-Mounted (projects 6")



CONSTRUCTION:

- **CABINET** fabricated of type 304 (18-8) 22 gauge stainless steel with exposed surfaces in architectural satin finish. Welded construction with seamless corners and burr-free edges.
- **DOOR** fabricated of type 304 (18-8) 18 gauge stainless steel, 1/2" return for maximum rigidity. Concealed full-length stainless steel piano hinge, 2 tumbler locks keyed like other Bradley units.
- **TOWEL DISPENSER** fabricated of type 304 (18-8) 22 gauge stainless steel. Rolled edge on dispenser opening.
- **WASTE RECEPTACLE COVER** fabricated of type 304 (18-8) 22 gauge stainless steel. Spring hinge provides for self-closure.
- **WASTE RECEPTACLE INSERT** fabricated of leakproof molded plastic.

CAPACITY:

Towel Dispenser-1100 single-fold, 800 multi-fold or 600 C-fold paper towels. Waste Receptacle Insert-4.9 gal. (.65 cu. ft.)

OPERATION:

Towel dispenser holds single fold, multi-fold or C-fold towels with use of special adaptor. Waste receptacle insert removable by unlocking cabinet door.

INSTALLATION:

Recessed unit requires rough wall opening 11-3/4"W x 53-5/8"H x 5-3/4"D (Semi-recessed unit only 3-3/4" deep). Top of wall opening 5'0" above finished floor. Secure to framing with mounting screws (included) at holes provided. Shim at screw points as required.

GUIDE SPECIFICATION:

Recessed combination towel dispenser and waste receptacle shall be fabricated of heavy gauge type 304 (18-8) stainless steel with exposed surfaces in satin finish. Cabinet door of 18 gauge stainless steel with full length concealed piano hinge and secured by 2 tumbler locks. Towel dispenser capacity 1100 single-fold, 800 multi-fold or 600 C-fold towels. Removable 4.9 gal. leakproof molded plastic insert for waste receptacle.

Overall dimensions: 13"W x 55"H x 6"D.

Recessed Combination Towel Dispenser and Waste Receptacle shall be Bradley Model 2017.

Document No. 8050

This information is subject to change without formal notice.
© 2007 Bradley Corporation
3-27-2007

Orders composed of products indicated as **Bradlex**® will be available to ship in one week after receipt of order at the factory. There is no pricing penalty for this service from Bradley.



P.O. Box 309, Menomonee Falls, WI 53052-0309
Phone 1-800-BRADLEY FAX 262-253-4161
Web Site: <http://www.bradleycorp.com>