

Model 194 — Multi-Purpose Unit

- For 1/2" thick drywall installations behind wall or mirror

Product Materials

FLANGE: 22 gauge stainless steel with exposed surfaces in architectural satin finish. One-piece seamless construction, 1" wide with beveled edges.

CABINET: 26 gauge stainless steel.

TOWEL TRAY: 22 gauge stainless steel.

TOWEL DISPENSER: 22 gauge stainless steel piano hinge and tumbler lock. Rolled edge on dispenser opening.

EXTERIOR SHELF: 22 gauge stainless steel with an area of 60 sq. in.

LOCK on towel and soap dispensers keyed like other Bradley units.

SOAP DISPENSER: 22 gauge stainless steel with tumbler lock. Soap valve has chrome-plated brass housing with ABS plastic mechanism and integral checks to prevent leakage. High impact polystyrene liner. Requires less than 5 lbs. force to dispense soap.

Capacity

Towel Dispenser — 800 multi-fold or 600 C-fold paper towels; Soap Dispenser — 100 oz. liquid soap.

Operation

Lock secures hinged towel dispenser lip which opens for refilling from bottom. Towel dispenser holds multi-fold or C-fold towels without use of special adaptor. Soap dispenser slides open for filling and cleaning. Sight gauge indicates refill time. Valve dispenses measured amount of liquid soap. Requires less than 5 lbs. force to dispense soap.

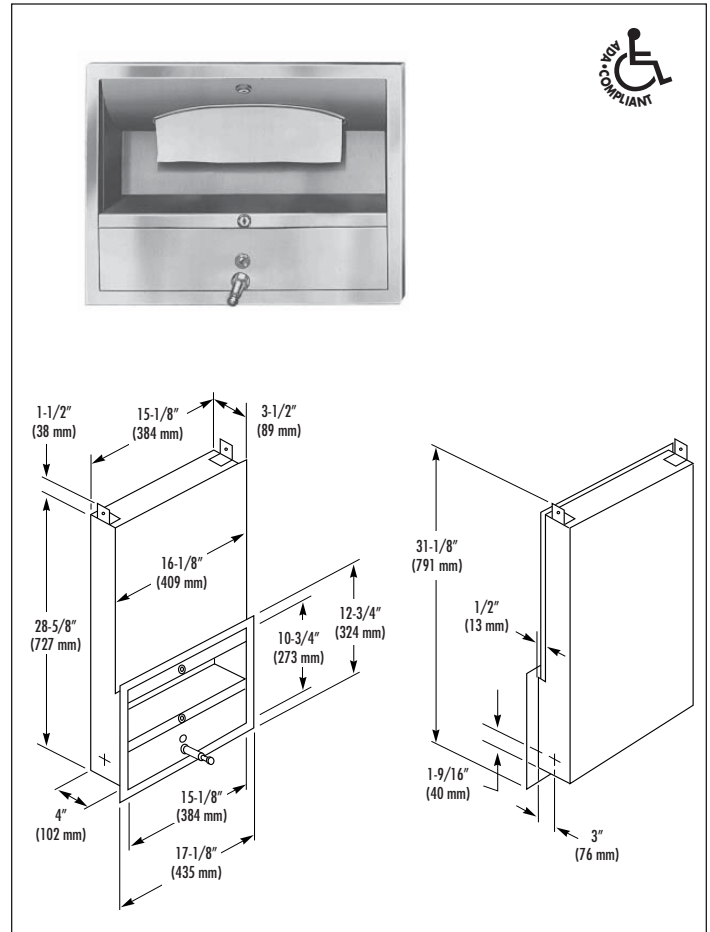
Installation

Verify all rough-in dimensions prior to installation. Requires rough wall opening 15-5/8"W x 30-1/4"H x 4"D. Install cabinet prior to installation of wall surface or mirror. Secure to framing with mounting screws (included) at holes provided. Shim at screw points as required.

Guide Specification

Recessed multi-purpose unit (for behind wall or mirror installation) consisting of recessed towel dispenser, shelf and 100 oz. liquid soap dispenser shall be fabricated of stainless steel with exposed surfaces in satin finish. Towel dispenser with piano hinge and tumbler lock. Towel dispenser capacity 800 multi-fold or 600 C-fold towels. Requires less than 5 lbs. force to dispense soap.

Overall dimensions: 17-1/8"W x 31-1/8"H x 4"D.



Optional Features

Feature	Suffix
<input type="checkbox"/> Two liquid soap valves	-14

ADA Compliant

- Consult local and national accessibility codes for proper installation guidelines.
- Conformity and compliance to local and national codes is the responsibility of the installer.

Washroom Accessories
Document No. 8030