

- Model 155 — Recessed**
- Model 155-10 — Semi-Recessed (recesses 2"; projects 2")**
- Model 155-11 — Surface-Mounted (projects 4")**

Product Materials

FLANGE: 22 gauge stainless steel with exposed surfaces in architectural satin finish. One-piece seamless construction, 1" wide with 1/4" return.

CABINET: 26 gauge stainless steel.

DOOR: 22 gauge stainless steel with heavy-duty full-length piano hinge and tumbler lock keyed like other Bradley units.

MIRROR: first quality 1/4" float glass triple-silvered, electro-copper plated with baked enamel backing, guaranteed for 15 years against silver spoilage. Protected by shock-absorbing filler.

EXTERIOR SHELF: 22 gauge stainless steel with an area of 60 sq. in.

Capacity

Towel Dispenser — 800 multi-fold or C-fold towels with use of special adapter.

Operation

Towel dispenser holds multi-fold or C-fold towels with use of special adapter.

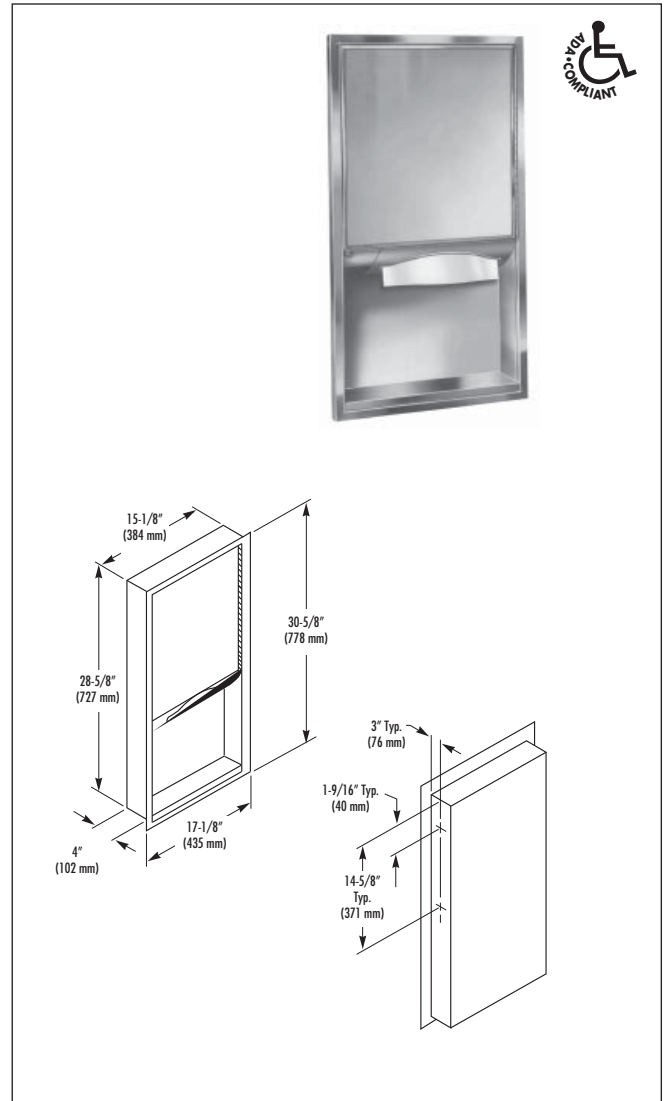
Installation

Verify all rough-in dimensions prior to installation. Recessed unit requires rough wall opening 15-5/8"W x 29-1/8"H x 4"D. Secure to framing with mounting screws (included) at holes provided. Shim at screw points as required.

Guide Specification

Recessed multi-purpose unit consisting of mirror, towel dispenser, and shelf shall be fabricated of stainless steel with exposed surfaces in satin finish. Mirrored door with full-length piano hinge and tumbler lock. Towel dispenser capacity 800 multi-fold or 600 C-fold towels.

Overall dimensions: 17-1/8"W x 30-5/8"H x 4"D.



ADA Compliant

- Consult local and national accessibility codes for proper installation guidelines.
- Conformity and compliance to local and national codes is the responsibility of the installer.

**Washroom Accessories
Document No. 8015**

Optional Features:

Feature	Suffix
<input type="checkbox"/> Interior shelves, small capacity towel cabinet	-16
<input type="checkbox"/> Stainless steel door in lieu of mirror	-21
<input type="checkbox"/> #8 Stainless steel mirror in lieu of glass	-23
<input type="checkbox"/> Adjustable tilt mirror	-25
<input type="checkbox"/> Cup dispenser	-27