

- Model 130 — Recessed**
- Model 130-10 — Semi-Recessed**
(recesses 2"; projects 2")
- Model 130-11 — Surface-Mounted (projects 4")**

Product Materials

FLANGE: 22 gauge stainless steel with exposed surfaces in architectural satin finish. One-piece seamless construction, 1" wide with ¼" return.

CABINET: 26 gauge stainless steel.

DOOR: 22 gauge stainless steel with heavy-duty full-length piano hinge and tumbler lock.

MIRROR: first quality ¼" float glass triple-silver-plated, electro-copper plated with baked enamel backing, guaranteed for 15 years against silver spoilage. Protected by shock-absorbing filler.

TOWEL DISPENSER: 22 gauge stainless steel. Rolled edge on dispenser opening.

EXTERIOR SHELF: 22 gauge stainless steel with an area of 60 sq. in.

SOAP DISPENSER: 22 gauge stainless steel with tumbler lock. Soap valve has chrome-plated brass housing with ABS plastic mechanism, and internal checks to prevent leakage. High-impact polystyrene liner. Requires less than 5 lbs. force to dispense soap.

LOCKS on door and soap dispenser keyed like other Bradley units.

Capacity

Towel Dispenser: 800 multi-fold or C-fold paper towels. Soap Dispenser: 100-oz. liquid soap.

Operation

Towel dispenser holds multi-fold or C-fold towels with use of special adapter. Soap dispenser slides open for filling and cleaning. Sight gauge indicates refill time. Valve dispenses measured amount of liquid soap. Requires less than 5 lbs. force to dispense soap.

Installation

Verify all rough-in dimensions prior to installation. Recessed unit requires rough wall opening 15½"W x 29½"H x 4"D (Semi-recessed unit only 2" deep). Secure to framing with mounting screws (included) at holes provided. Shim at screw points as required.

Guide Specification

Recessed multi-purpose unit consisting of mirror, towel dispenser, cup dispenser, shelf and 100-oz. liquid soap dispenser, shall be fabricated of stainless steel with exposed surfaces in satin finish. Mirrored door with full-length piano hinge and tumbler lock. Towel dispenser capacity 800 multi-fold or 600 C-fold towels. Requires less than 5 lbs. force to dispense soap.

Overall dimensions: 17½"W x 30¾"H x 4"D.



Optional Features

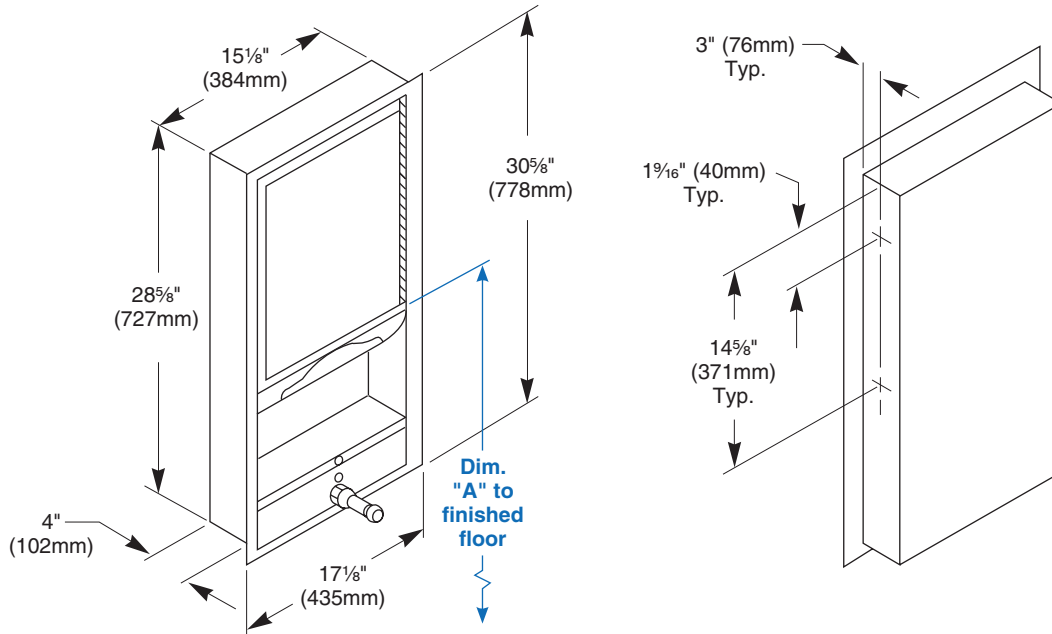
Feature	Suffix
<input type="checkbox"/> Two liquid soap valves	-14
<input type="checkbox"/> Interior shelves, small capacity towel cabinet	-16
<input type="checkbox"/> Stainless steel door in lieu of mirror	-21
<input type="checkbox"/> #8 Stainless steel mirror in lieu of glass	-23
<input type="checkbox"/> Adjustable tilt mirror	-25
<input type="checkbox"/> Cup dispenser	-27

ADA Compliant

- Consult local and national accessibility codes for proper installation guidelines.
- Conformity and compliance to local and national codes is the responsibility of the installer.

Washroom Accessories
Document No. 8005

Dimensions



Dim. "A" Key Surface:	For Dim. "A"	Top of Rough Wall Opening	Bottom of Rough Wall Opening
Mirror's bottom edge of the reflecting surface to finished floor	48" (1219mm)	65 ³ / ₄ " (1670mm)	36 ⁵ / ₈ " (930mm)
	45" (1143mm)	62 ³ / ₄ " (1594mm)	33 ⁵ / ₈ " (854mm)
	42" (1067mm)	59 ³ / ₄ " (1518mm)	30 ⁵ / ₈ " (778mm)
	40" (1016mm)	57 ³ / ₄ " (1467mm)	28 ⁵ / ₈ " (727mm)
Rough wall opening:			
Surface Mount:	No rough opening, see overall dimensions		
Recessed:	15 ⁵ / ₈ " (397mm) Wide x 29 ¹ / ₈ " (740mm) High x 4" (102mm) Deep		
Semi-Recessed:	15 ⁵ / ₈ " (397mm) Wide x 29 ¹ / ₈ " (740mm) High x 2" (51mm) Deep		

Washroom Accessories
Document No. 8005